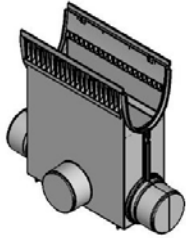
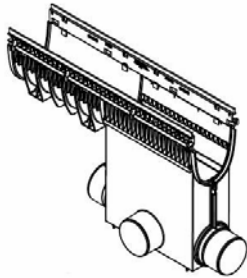
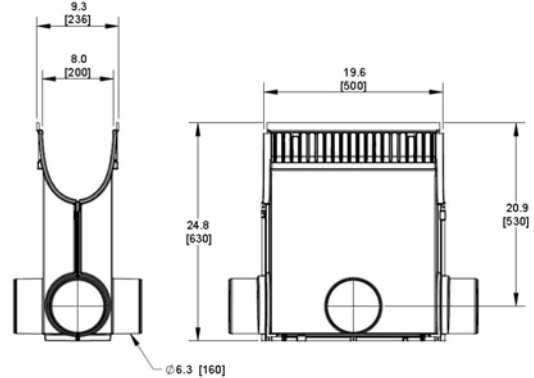


<b>Number</b>  <b>200-SB Siltbox</b>	<b>Series</b>  <b>CPS200 Siltbox Pro Plus 200</b>
--	---

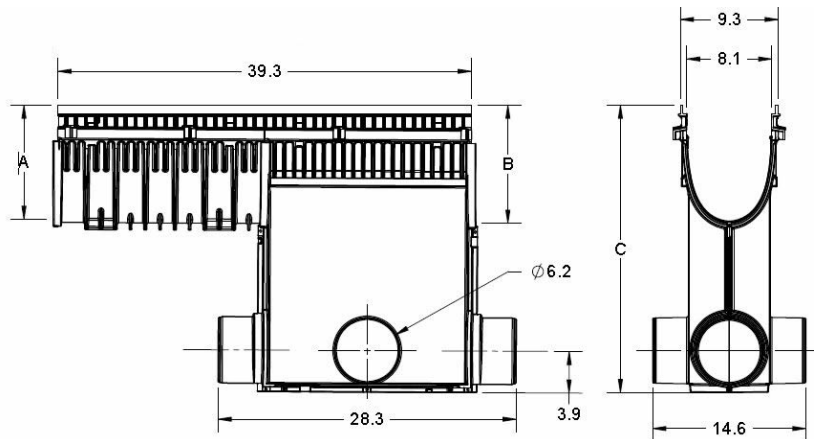


**200-SB Flat**

200-SB Siltbox for Flat Channel ( Standard ) 19.5/8" Long

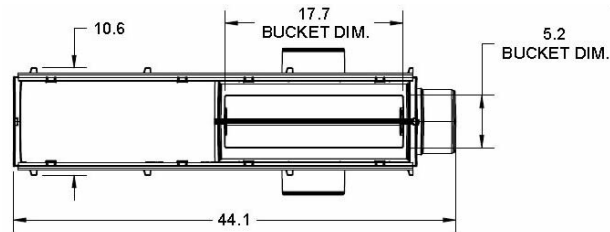


200-SB Siltbox for Presloped Channel ( Preslope Upgrade ) 39.4" Long



**200-SB Presloped**

PART NUMBER	DIM "A"	DIM "B"	DIM "C"	WEIGHT (LBS)
200C01-SB	10.8	11.0	26.3	36.9
200C02-SB	11.0	11.2	26.5	37.1
200C03-SB	11.2	11.4	26.7	37.3
200C04-SB	11.4	11.6	26.9	37.4
200C05-SB	11.6	11.8	27.1	37.6
200C05N-SB	11.8	11.8	27.1	37.8
200C06-SB	11.8	12.0	27.3	37.9
200C07-SB	12.0	12.2	27.5	38.1
200C08-SB	12.2	12.4	27.7	38.3
200C09-SB	12.4	12.6	27.9	38.5
200C10-SB	12.6	12.8	28.1	38.7
200C11-SB	12.8	13.0	28.3	41.6
200C12-SB	13.0	13.2	28.5	41.9
200C13-SB	13.2	13.4	28.7	42.2
200C14-SB	13.4	13.6	28.9	42.5
200C15-SB	13.6	13.8	29.1	42.7
200C15N-SB	13.8	13.8	29.1	42.8
200C16-SB	13.8	14.0	29.3	43.1
200C17-SB	14.0	14.2	29.5	43.3
200C18-SB	14.2	14.4	29.7	43.5
200C19-SB	14.4	14.6	29.9	43.7
200C20-SB	14.6	14.8	30.1	43.9



**Manufacturer**



Quality engineered trench drain system

**Specification**

MEA 200-SB SILT BOX WITH SEDIMENT BUCKET, 19.7" LONG FLAT (STANDARD), OR 39.4" LONG WITH SLOPE (PRESLOPE UPGRADE), FOR USE WITH PRO-PLUS 200C SERIES 8" INTERNAL WIDTH CHANNELS. MADE WITH SMC/GRP MATERIAL WITH PIPE CONNECTIONS, SUPPLIED BY TRENCH DRAIN SUPPLY.

DISCLAIMER - The customer and the customer's architects, engineers, consultants, and other professionals are completely responsible for the selection installation and maintenance of any product purchased from Trench Drain Supply and/or its manufacturers. TRENCH DRAIN SUPPLY MAKES NO WARRANTY, EXPRESS OR IMPLIED, AS TO THE SUITABILITY, DESIGN, MERCHANTABILITY, OR FITNESS OF THE PRODUCT FOR CUSTOMERS APPLICATION. The drawing and information provided remain the property and copyright of the manufacturer listed. The manufacturer reserves the right to modify specification without notice.