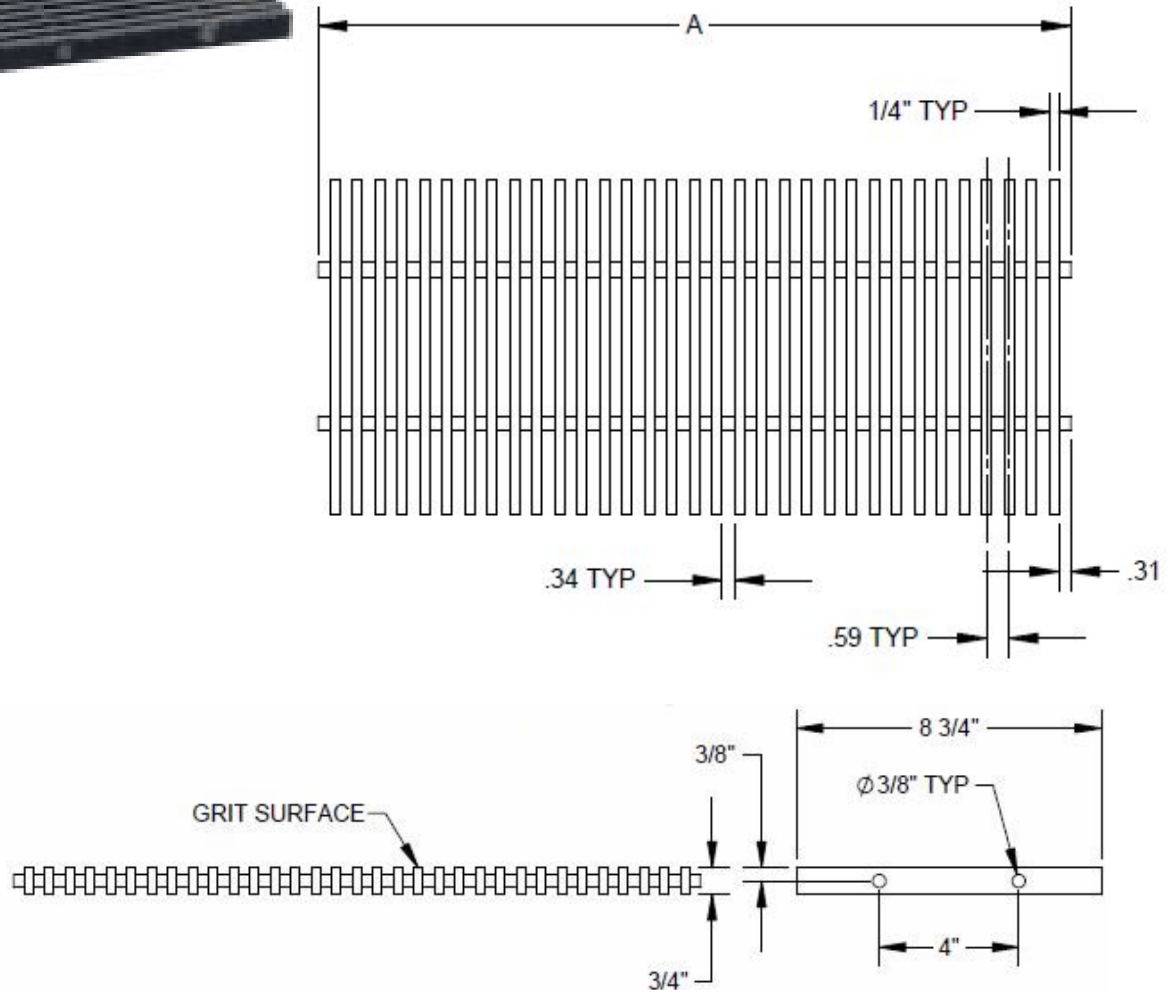



1-877-903-7246



www.trenchdrainsupply.com

Number <p style="text-align: center;">152050</p>	Series <p style="text-align: center;">CPS200 Vinylester Bar Grate A Class Pro Plus 200</p>
---	---



Manufacturer  Quality engineered trench drain system	Specification MEA-JOSAM 200 SERIES VINYLESTER FIBERGLASS BAR GRATE WITH NON-SKID GRIP COAT. SUPPLIED BY TRENCH DRAIN SUPPLY.
--	--

DISCLAIMER - The customer and the customer's architects, engineers, consultants, and other professionals are completely responsible for the selection installation and maintenance of any product purchased from Trench Drain Supply and/or its manufacturers. TRENCH DRAIN SUPPLY MAKES NO WARRANTY, EXPRESS OR IMPLIED, AS TO THE SUITABILITY, DESIGN, MERCHANTABILITY, OR FITNESS OF THE PRODUCT FOR CUSTOMERS APPLICATION. The drawing and information provided remain the property and copyright of the manufacturer listed. The manufacturer reserves the right to modify specification without notice.