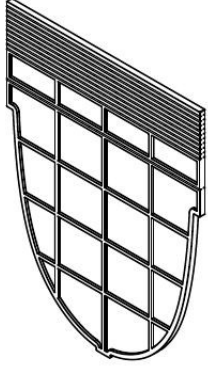
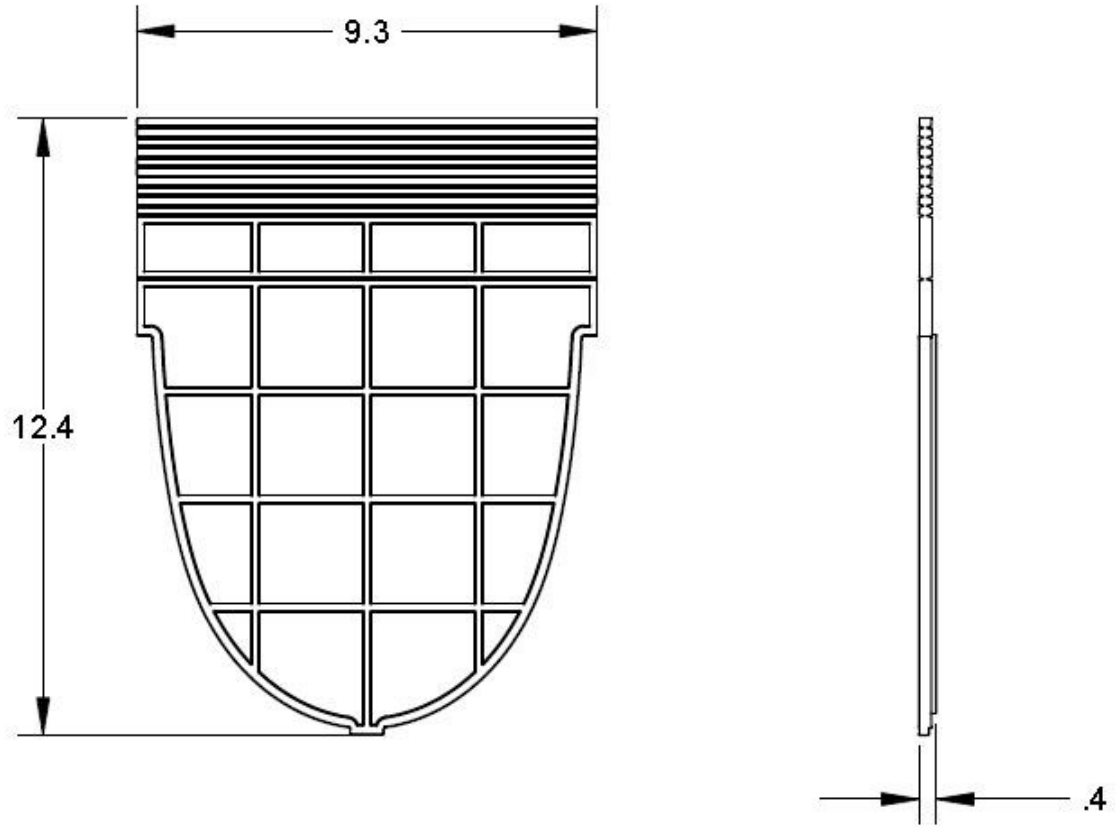


1-877-903-7246

<b>Number</b>  <b>200-EC</b>	<b>Series</b>  <b>CPS200</b> Solid End Cap Pro Plus 200
------------------------------------	---



**200-EC Solid End Cap**



**Manufacturer**



**Specification**

JOSAM 200-EC SOLID END CAP FOR PRO-PLUS 100C 8" INTERNAL WIDTH TRENCH CHANNELS. MADE WITH PVC MATERIAL AND DESIGNED TO FIT SECURELY IN 200C CHANNELS AND OTHER 200C ACCESSORIES, SUPPLIED BY TRENCH DRAIN SUPPLY.

DISCLAIMER - The customer and the customer's architects, engineers, consultants, and other professionals are completely responsible for the selection installation and maintenance of any product purchased from Trench Drain Supply and/or its manufacturers. TRENCH DRAIN SUPPLY MAKES NO WARRANTY, EXPRESS OR IMPLIED, AS TO THE SUITABILITY, DESIGN, MERCHANTABILITY, OR FITNESS OF THE PRODUCT FOR CUSTOMERS APPLICATION. The drawing and information provided remain the property and copyright of the manufacturer listed. The manufacturer reserves the right to modify specification without notice.