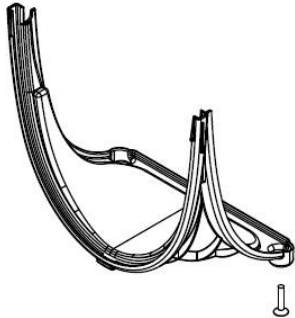
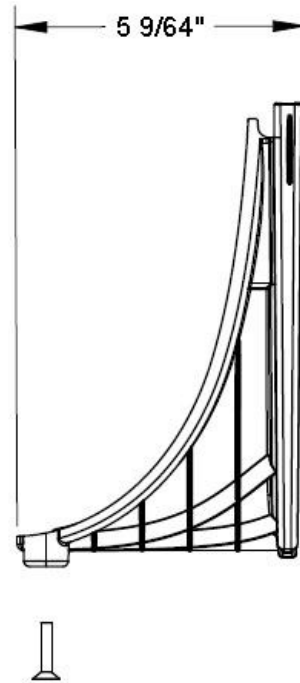
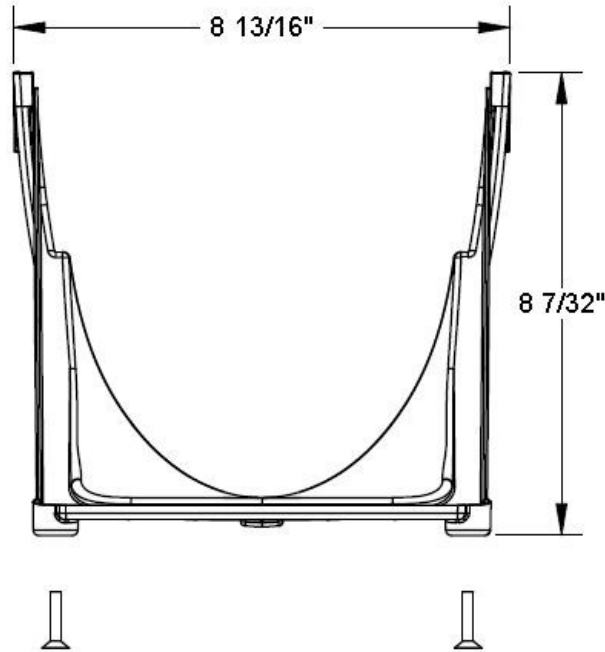
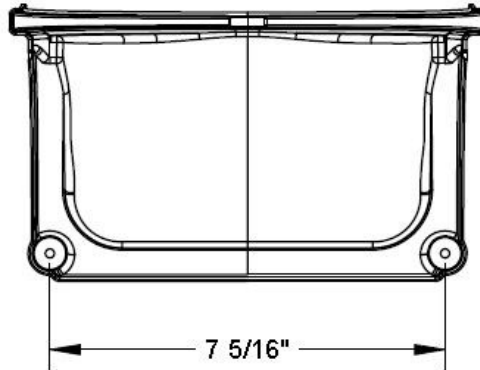


<p><b>Number</b></p> <p style="text-align: center;"><b>200-CT</b></p>	<p><b>Series</b></p> <p style="text-align: center;"><b>CPS200</b> Corner/T Connector Pro Plus 200</p>
---	---



**200-CT Corner/T Connector**



**Manufacturer**



**Specification**

JOSAM 200-CT ADAPTER FOR PRO-PLUS 200C 8" INTERNAL WIDTH CHANNELS. CONNECTOR SECURES TO BOSSES ON OUTSIDE OF CHANNEL WITH SCREWS (SUPPLIED) AND PROVIDES SUPPORT FOR MATING CHANNEL SECTION FOR CORNER OR TEE CONFIGURATION, SUPPLIED BY TRENCH DRAIN SUPPLY.

DISCLAIMER - The customer and the customer's architects, engineers, consultants, and other professionals are completely responsible for the selection installation and maintenance of any product purchased from Trench Drain Supply and/or its manufacturers. TRENCH DRAIN SUPPLY MAKES NO WARRANTY, EXPRESS OR IMPLIED, AS TO THE SUITABILITY, DESIGN, MERCHANTABILITY, OR FITNESS OF THE PRODUCT FOR CUSTOMERS APPLICATION. The drawing and information provided remain the property and copyright of the manufacturer listed. The manufacturer reserves the right to modify specification without notice.