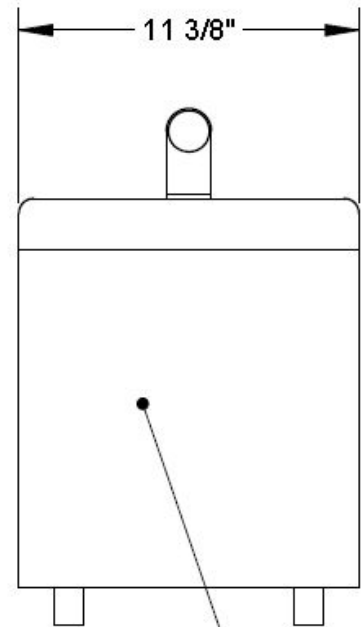
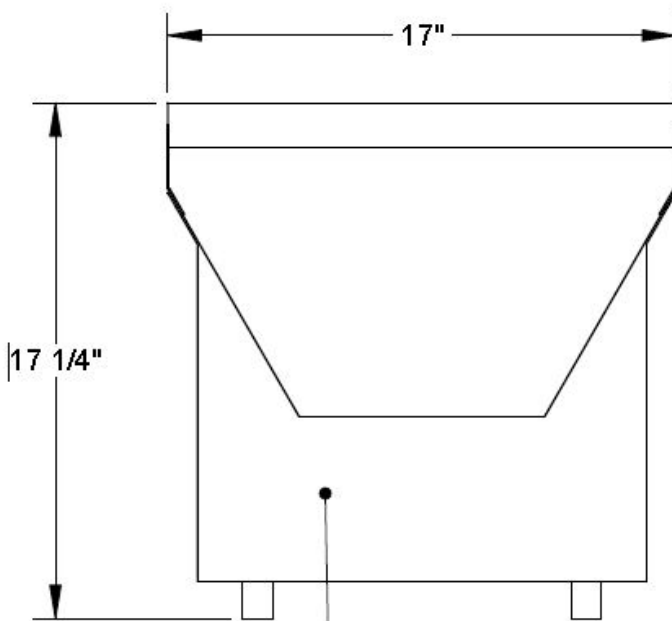
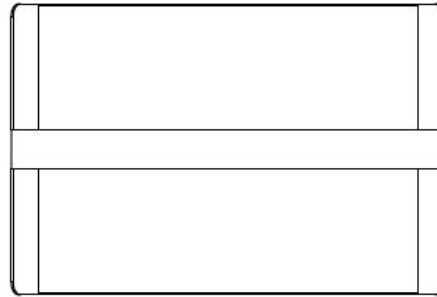
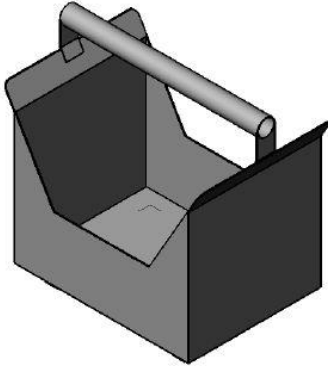


<p>Number</p> <p>200-CB-SED</p>	<p>Series</p> <p>CPS200</p> <p>Catch Basin Sediment Bucket</p> <p>Pro Plus 200</p>
---	--

200-CB-SED Catch Basin Sediment Bucket



STAGGED ROUND HOLE PERFORATION
STAINLESS STEEL SHEET ON ALL SIDES AND BOTTOM
Ø0.25" HOLES

Manufacturer



Quality engineered trench drain system

Specification

SEDIMENT BUCKET TO FIT INSIDE OF PPCB-2024 CATCH BASIN. USE TWO SEDIMENT BUCKETS IN EVERY CATCH BASIN, SUPPLIED BY TRENCH DRAIN SUPPLY.

DISCLAIMER - The customer and the customer's architects, engineers, consultants, and other professionals are completely responsible for the selection installation and maintenance of any product purchased from Trench Drain Supply and/or its manufacturers. TRENCH DRAIN SUPPLY MAKES NO WARRANTY, EXPRESS OR IMPLIED, AS TO THE SUITABILITY, DESIGN, MERCHANTABILITY, OR FITNESS OF THE PRODUCT FOR CUSTOMERS APPLICATION. The drawing and information provided remain the property and copyright of the manufacturer listed. The manufacturer reserves the right to modify specification without notice.