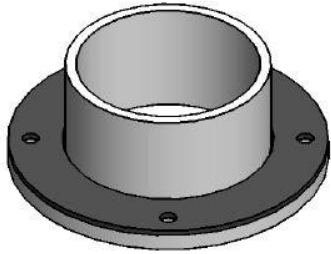


Number

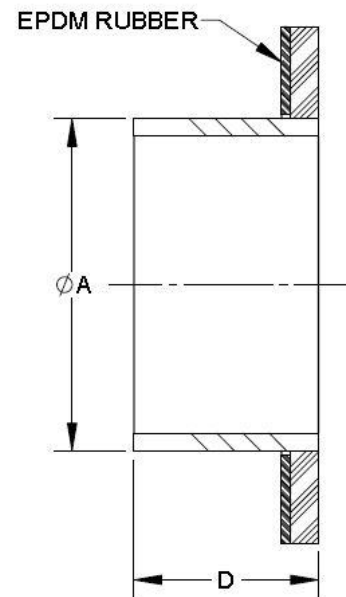
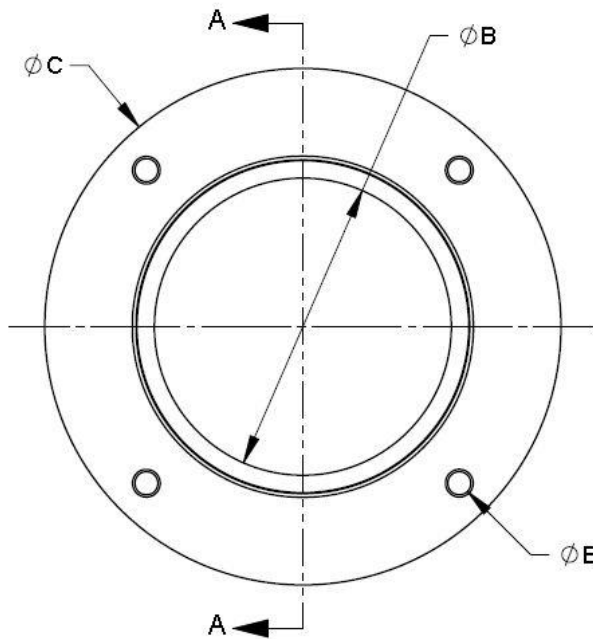
200-CB-OUT

Series

CPS200
Catch Basin Outlet
Pro Plus 200



200-CB-OUT Catch Basin Outlet



SECTION A-A
SCALE 1 : 2

PART NUMBER	DIM "A"	DIM "B"	DIM "C"	DIM "D"	DIM "E"
350152	8.63"	7.98"	11.00"	4.75"	0.44"
350153	6.63"	6.07"	9.00"	3.75"	0.38"
350154	4.50"	4.03"	7.00"	2.50"	0.31"

Manufacturer



Quality engineered trench drain system

Specification

CATCH BASIN OUTLET MADE OF PVC PIPE TO CONNECT TO PVC PIPE. HARDWARE SUPPLIED BY OTHERS, SUPPLIED BY TRENCH DRAIN SUPPLY.

DISCLAIMER - The customer and the customer's architects, engineers, consultants, and other professionals are completely responsible for the selection installation and maintenance of any product purchased from Trench Drain Supply and/or its manufacturers. TRENCH DRAIN SUPPLY MAKES NO WARRANTY, EXPRESS OR IMPLIED, AS TO THE SUITABILITY, DESIGN, MERCHANTABILITY, OR FITNESS OF THE PRODUCT FOR CUSTOMERS APPLICATION. The drawing and information provided remain the property and copyright of the manufacturer listed. The manufacturer reserves the right to modify specification without notice.