
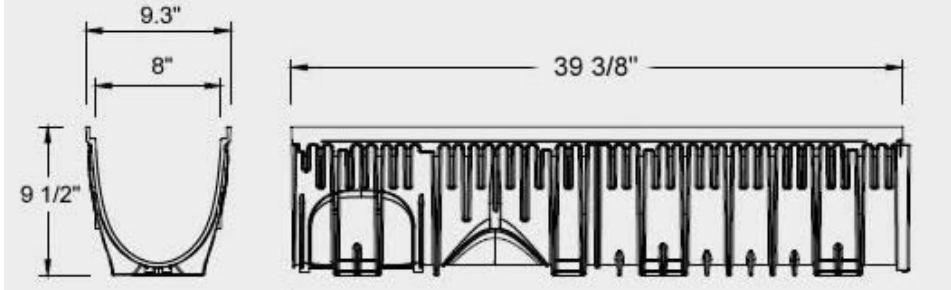



Number 200C Channel	Series CPS200 Trench Drain Channel Pro Plus 200
--	--

200C Flat Channel (Standard)

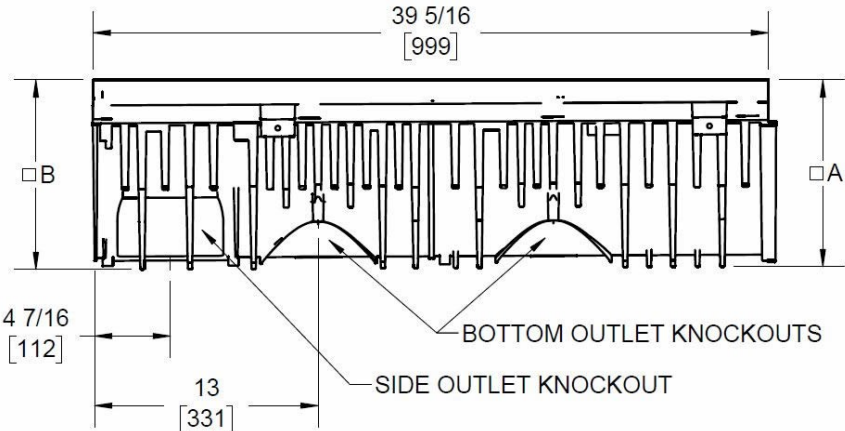


200C Flat



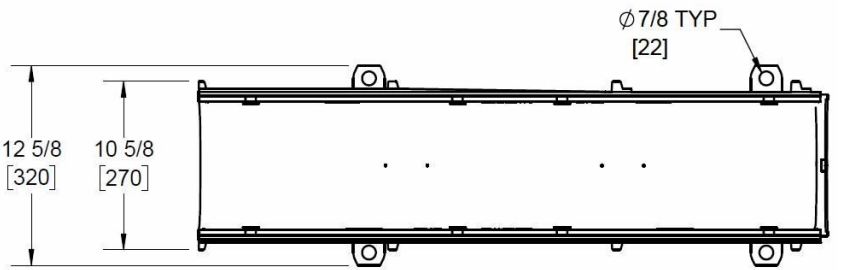



200C Presloped



PART NUMBER	DIM. "A"	DIM. "B"	WEIGHT (LBS)
200C	9.5	9.5	13.2
200C01	10.8	11.0	17.1
200C02	11.0	11.2	17.4
200C03	11.2	11.4	17.7
200C04	11.4	11.6	18.0
200C05	11.6	11.8	18.2
200C05N	11.8	11.8	18.3
200C06	11.8	12.0	18.4
200C07	12.0	12.2	18.8
200C08	12.2	12.4	19.0
200C09	12.4	12.6	19.2
200C10	12.6	12.8	19.4
200C11	12.8	13.0	21.8
200C12	13.0	13.2	22.1
200C13	13.2	13.4	22.4
200C14	13.4	13.6	22.7
200C15	13.6	13.8	22.9
200C15N	13.8	13.8	23.0
200C16	13.8	14.0	23.3
200C17	14.0	14.2	23.5
200C18	14.2	14.4	23.7
200C19	14.4	14.6	23.9
200C20	14.6	14.8	24.1

200C Presloped Channel (Preslope Upgrade)



<p>Manufacturer</p> 	<p>Specification</p> <p>JOSAM 200 SERIES SMC-GRP MATERIAL, 8" WIDTH DRAINAGE CHANNEL. FLAT - NEUTRAL (STANDARD) OR WITH PRESLOPE (UPGRADE), SUPPLIED BY TRENCH DRAIN SUPPLY.</p>
--	---

DISCLAIMER - The customer and the customer's architects, engineers, consultants, and other professionals are completely responsible for the selection installation and maintenance of any product purchased from Trench Drain Supply and/or its manufacturers. TRENCH DRAIN SUPPLY MAKES NO WARRANTY, EXPRESS OR IMPLIED, AS TO THE SUITABILITY, DESIGN, MERCHANTABILITY, OR FITNESS OF THE PRODUCT FOR CUSTOMERS APPLICATION. The drawing and information provided remain the property and copyright of the manufacturer listed. The manufacturer reserves the right to modify specification without notice.