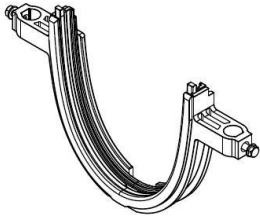
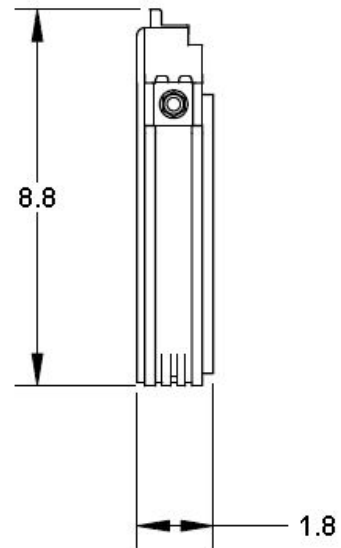
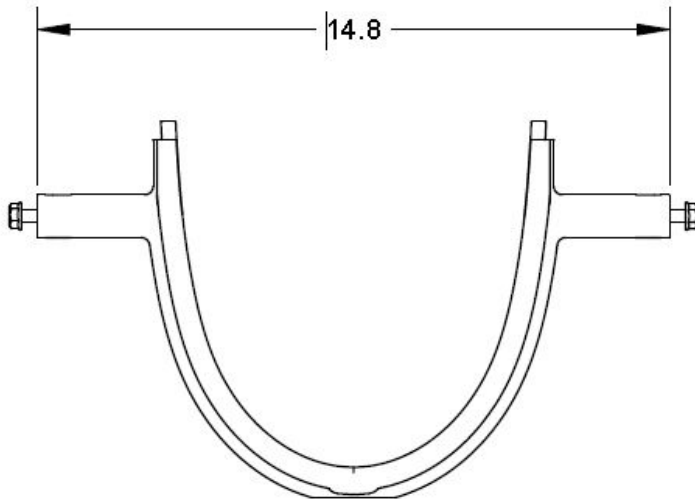


<p>Number</p> <p style="text-align: center;">200-BSW</p>	<p>Series</p> <p style="text-align: center;">CPS200 Male End Support Bracket Pro Plus 200</p>
--	---



200-BSW Male End Support



Manufacturer



Quality engineered trench drain system

Specification

MEA 200-BSW MALE END SUPPORT BRACKET FOR PRO-PLUS 200C 8" INTERNAL WIDTH TRENCH CHANNELS. MADE WITH PVC MATERIAL TO SUPPORT AND CONNECT CHANNEL SECTIONS AND WITH VERTICAL HOLES TO SECURE TO REBAR WITH INCLUDED BOLTS, SUPPLIED BY TRENCH DRAIN SUPPLY.

DISCLAIMER - The customer and the customer's architects, engineers, consultants, and other professionals are completely responsible for the selection installation and maintenance of any product purchased from Trench Drain Supply and/or its manufacturers. TRENCH DRAIN SUPPLY MAKES NO WARRANTY, EXPRESS OR IMPLIED, AS TO THE SUITABILITY, DESIGN, MERCHANTABILITY, OR FITNESS OF THE PRODUCT FOR CUSTOMERS APPLICATION. The drawing and information provided remain the property and copyright of the manufacturer listed. The manufacturer reserves the right to modify specification without notice.