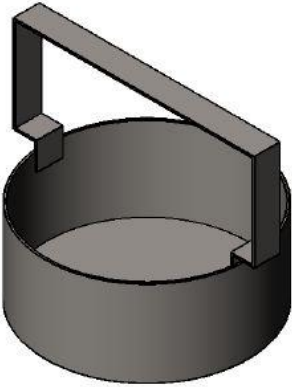
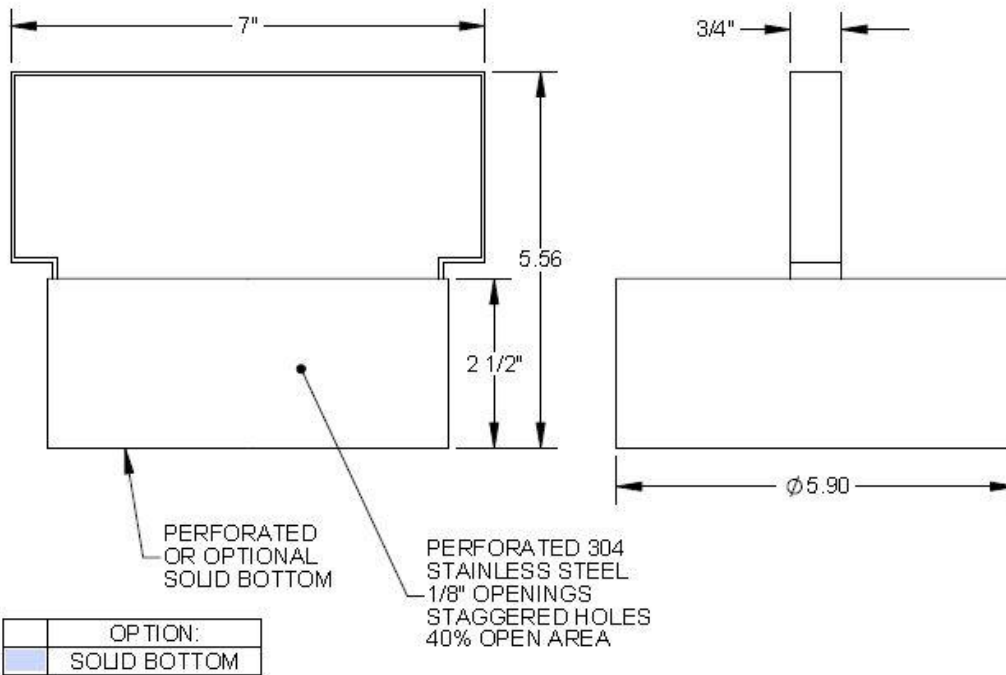
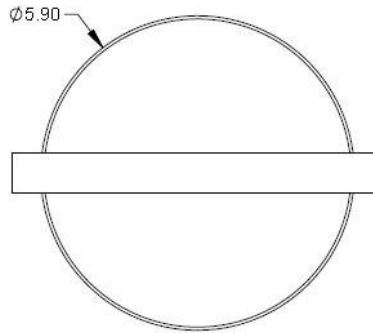


<p>Number</p> <p style="text-align: center;">200-BOS</p>	<p>Series</p> <p style="text-align: center;">CPS200 Bottom Outlet Strainer Pro Plus 200</p>
--	---



200-BOS Bottom Outlet Strainer



Manufacturer



Quality engineered trench drain system

Specification

STRAINER TO FIT INSIDE OF BOTTOM OUTLET PART 200-OB4. CONSTRUCTED OF 304 STAINLESS STEEL. CATCHES 1/8" DIAMETER AND LARGER PARTICLES., SUPPLIED BY TRENCH DRAIN SUPPLY.

DISCLAIMER - The customer and the customer's architects, engineers, consultants, and other professionals are completely responsible for the selection installation and maintenance of any product purchased from Trench Drain Supply and/or its manufacturers. TRENCH DRAIN SUPPLY MAKES NO WARRANTY, EXPRESS OR IMPLIED, AS TO THE SUITABILITY, DESIGN, MERCHANTABILITY, OR FITNESS OF THE PRODUCT FOR CUSTOMERS APPLICATION. The drawing and information provided remain the property and copyright of the manufacturer listed. The manufacturer reserves the right to modify specification without notice.