

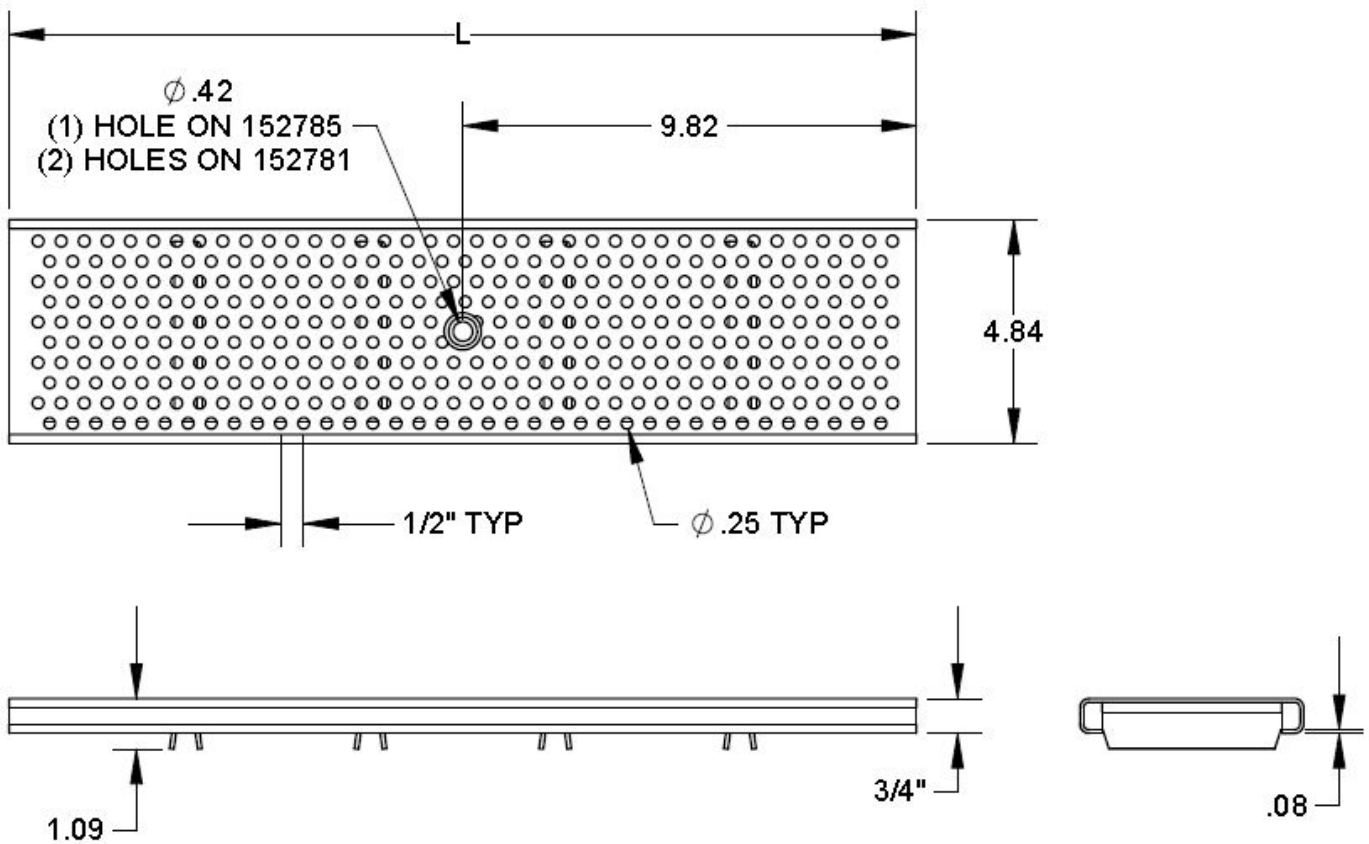
1-877-903-7246



www.trenchdrainsupply.com

<p>Number</p> <p style="text-align: center; font-size: 1.2em;">152785</p>	<p>Series</p> <p style="text-align: center; font-size: 1.2em;">152785</p> <p style="text-align: center;">C Stainless Steel Perforated Half Meter 1000 Series Grates</p>
---	---

PART NUMBER	"L" DIMENSION	FREE AREA
152785	19.7" [500mm]	18.1 SQ. IN.



Manufacturer



Quality engineered trench drain system

Specification

MEA 152785 REINFORCED STAINLESS STEEL PERFORATED HALF METER GRATE WITH CENTER BOLT SECURING FEATURE AND CLASS C LOAD RATING (56,000 LBS. - 1,162 PSI). SUPPLIED BY TRENCH DRAIN SUPPLY.

DISCLAIMER - The customer and the customer's architects, engineers, consultants, and other professionals are completely responsible for the selection installation and maintenance of any product purchased from Trench Drain Supply and/or its manufacturers. TRENCH DRAIN SUPPLY MAKES NO WARRANTY, EXPRESS OR IMPLIED, AS TO THE SUITABILITY, DESIGN, MERCHANTABILITY, OR FITNESS OF THE PRODUCT FOR CUSTOMERS APPLICATION. The drawing and information provided remain the property and copyright of the manufacturer listed. The manufacturer reserves the right to modify specification without notice.