

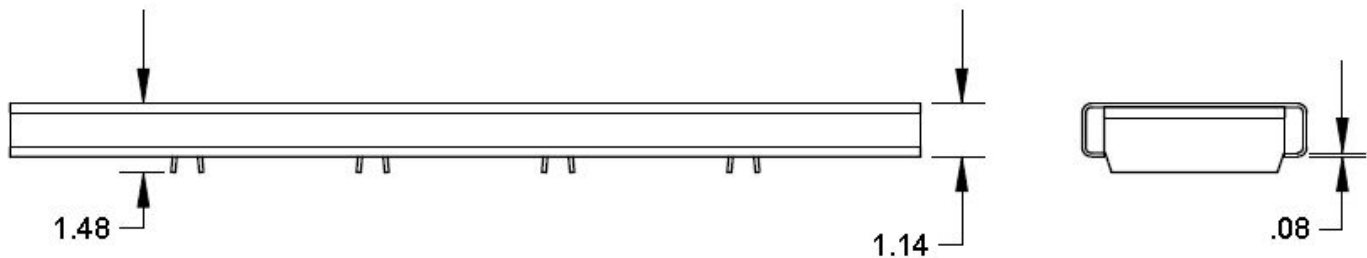
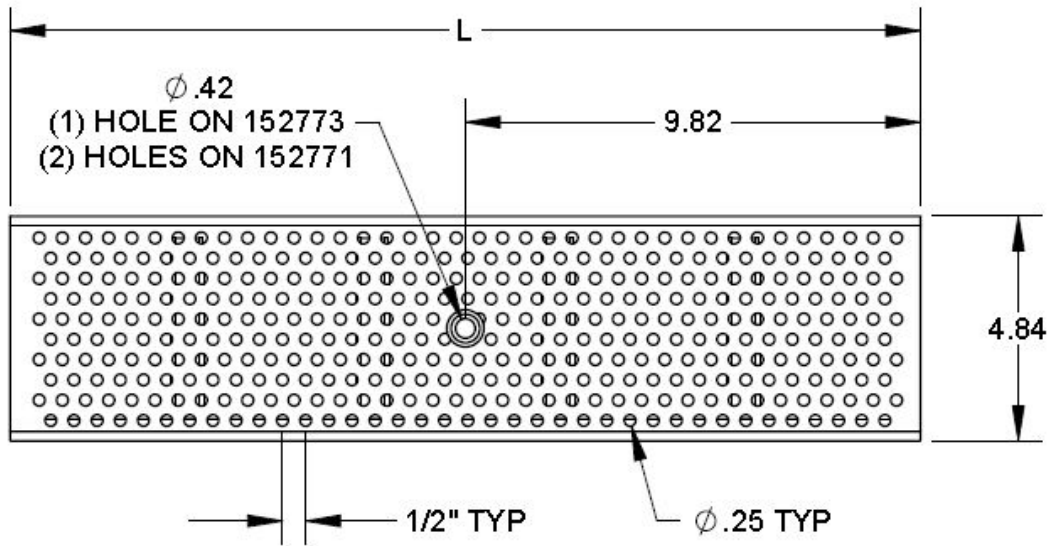
1-877-903-7246




www.trenchdrainsupply.com

Number 152771	Series 152771 C Galvanized Steel Perforated 1000 Series Grates
------------------------------------	---

<u>PART NUMBER</u>	<u>"L" DIMENSION</u>	<u>FREE AREA</u>
152771	39.4" [1000mm]	36.2 SQ. IN.



Manufacturer  Quality engineered trench drain system	Specification MEA 152771 REINFORCED GALVANIZED STEEL PERFORATED GRATE WITH CENTER BOLT SECURING FEATURE AND CLASS C LOAD RATING (56,000 LBS. - 1,162 PSI). SUPPLIED BY TRENCH DRAIN SUPPLY.
--	---

DISCLAIMER - The customer and the customer's architects, engineers, consultants, and other professionals are completely responsible for the selection installation and maintenance of any product purchased from Trench Drain Supply and/or its manufacturers. TRENCH DRAIN SUPPLY MAKES NO WARRANTY, EXPRESS OR IMPLIED, AS TO THE SUITABILITY, DESIGN, MERCHANTABILITY, OR FITNESS OF THE PRODUCT FOR CUSTOMERS APPLICATION. The drawing and information provided remain the property and copyright of the manufacturer listed. The manufacturer reserves the right to modify specification without notice.