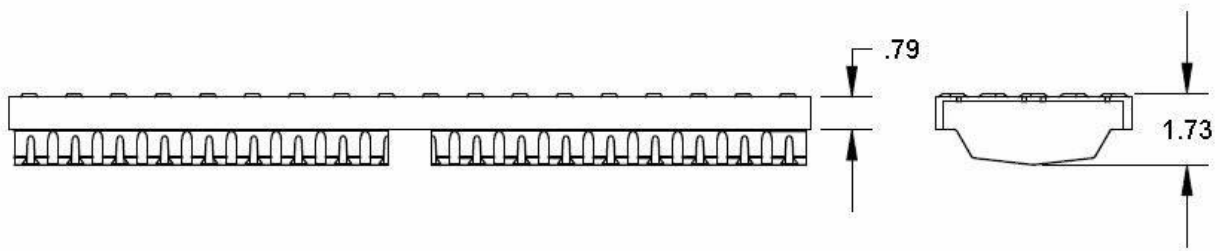
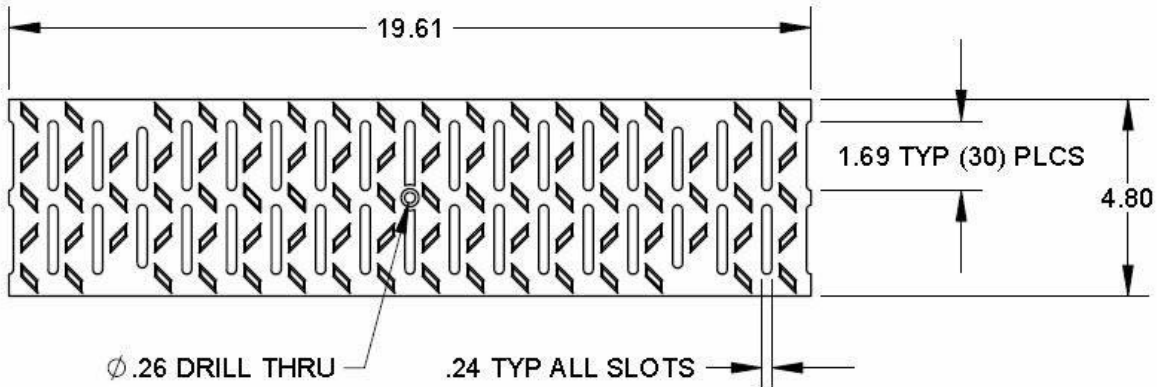
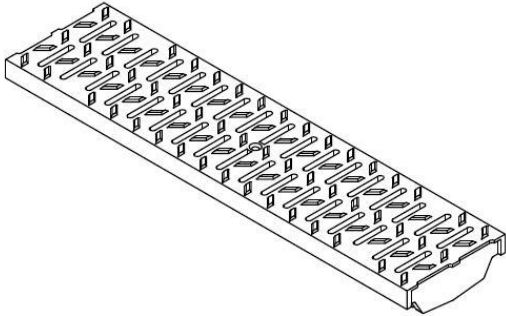


1-877-903-7246



www.trenchdrainsupply.com

<p><b>Number</b></p> <p style="text-align: center;"><b>152725</b></p>	<p><b>Series</b></p> <p style="text-align: center;"><b>152725</b></p> <p style="text-align: center;">C Nylon Heel Proof Slotted 1000 Series Grates</p>
---	--



**NOTE:**  
THIS GRATE IS SIMILAR TO 140145 BUT HAS STARFIX TABS REMOVED AND CENTER HOLE DRILLED TO ACCEPT 152726 LOCKING DEVICE.

**Manufacturer**



Quality engineered trench drain system

**Specification**

MEA-JOSAM 152725 SLOTTED PLASTIC (GLASS FILLED NYLON) GRATE WITH CENTER BOLT SECURING FEATURE AND CLASS C LOAD RATING (56,000 LBS - 1,162 PSI). SUPPLIED BY TRENCH DRAIN SUPPLY.

**DISCLAIMER** - The customer and the customer's architects, engineers, consultants, and other professionals are completely responsible for the selection installation and maintenance of any product purchased from Trench Drain Supply and/or its manufacturers. TRENCH DRAIN SUPPLY MAKES NO WARRANTY, EXPRESS OR IMPLIED, AS TO THE SUITABILITY, DESIGN, MERCHANTABILITY, OR FITNESS OF THE PRODUCT FOR CUSTOMERS APPLICATION. The drawing and information provided remain the property and copyright of the manufacturer listed. The manufacturer reserves the right to modify specification without notice.