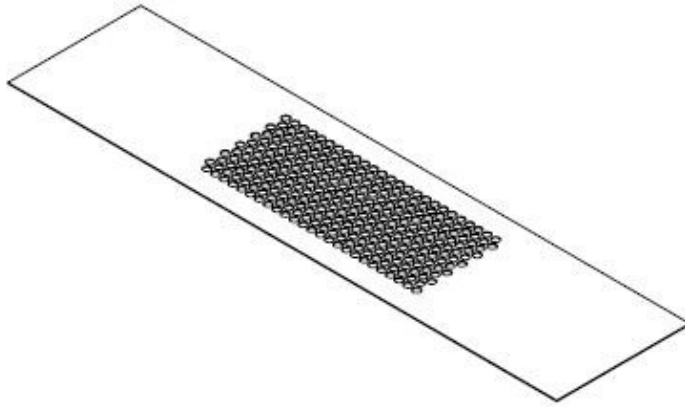
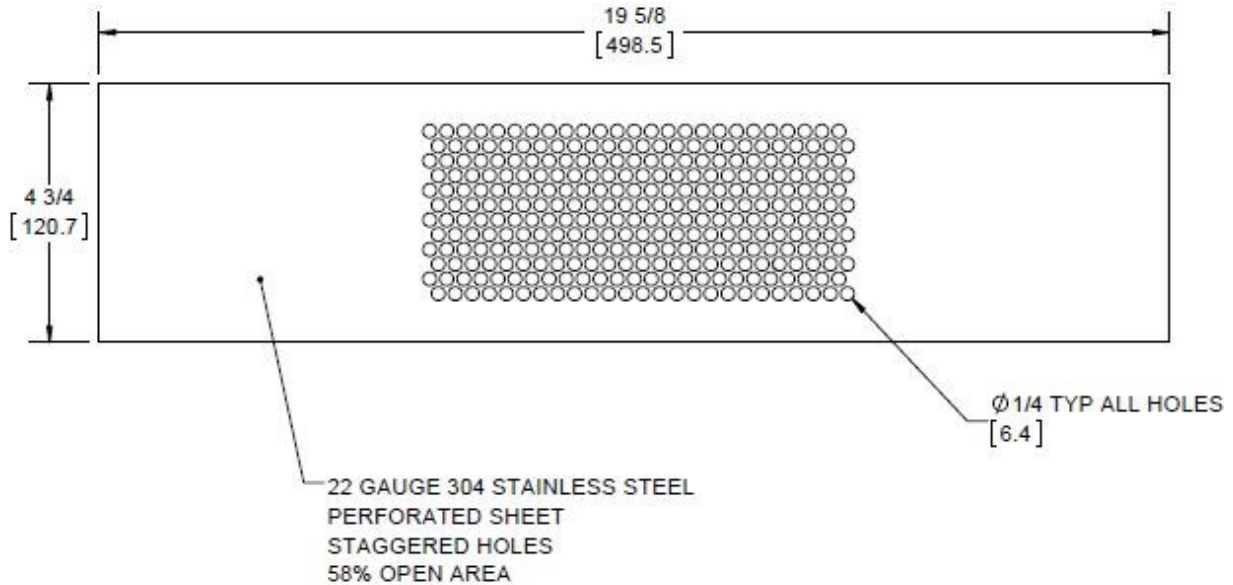


<p><b>Number</b></p> <p style="text-align: center;"><b>100-SCRN</b></p>	<p><b>Series</b></p> <p style="text-align: center;"><b>CPS100</b> Channel Screen Pro Plus 100</p>
---	---



**100-SCRN Channel Screen**



**Manufacturer**



**Specification**

SCREEN TO BE INSTALLED UNDER PRO-PLUS 100 SIZE TRENCH DRAIN GRATE. SCREEN MAY BE MODIFIED TO ACCEPTING LOCKING DEVICE. THIS COMPONENT WILL RAISE UP THE GRATE 0.025". USE ONE SCREEN UNDER EVERY HALF METER GRATE. SUPPLIED BY TRENCH DRAIN SUPPLY.

DISCLAIMER - The customer and the customer's architects, engineers, consultants, and other professionals are completely responsible for the selection installation and maintenance of any product purchased from Trench Drain Supply and/or its manufacturers. TRENCH DRAIN SUPPLY MAKES NO WARRANTY, EXPRESS OR IMPLIED, AS TO THE SUITABILITY, DESIGN, MERCHANTABILITY, OR FITNESS OF THE PRODUCT FOR CUSTOMERS APPLICATION. The drawing and information provided remain the property and copyright of the manufacturer listed. The manufacturer reserves the right to modify specification without notice.