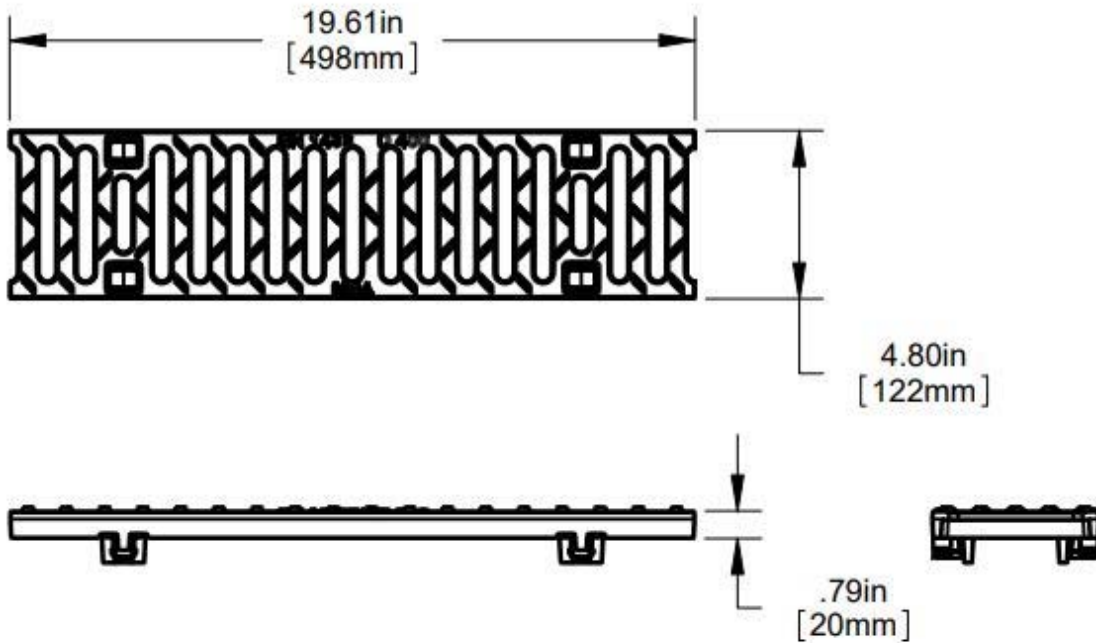



1-877-903-7246



www.trenchdrainsupply.com

Number 140150	Series CPS100 D Slotted Ductile Iron Grate Pro Plus 100
------------------------------------	--



Manufacturer  Quality engineered trench drain system	Specification MEA 140150 SLOTTED DUCTILE IRON GRATE WITH STARFIX SECURING FEATURE AND CLASS D LOAD RATING (90,000 LBS. - 1,859 PSI). SUPPLIED BY TRENCH DRAIN SUPPLY.
--	---

DISCLAIMER - The customer and the customer's architects, engineers, consultants, and other professionals are completely responsible for the selection installation and maintenance of any product purchased from Trench Drain Supply and/or its manufacturers. TRENCH DRAIN SUPPLY MAKES NO WARRANTY, EXPRESS OR IMPLIED, AS TO THE SUITABILITY, DESIGN, MERCHANTABILITY, OR FITNESS OF THE PRODUCT FOR CUSTOMERS APPLICATION. The drawing and information provided remain the property and copyright of the manufacturer listed. The manufacturer reserves the right to modify specification without notice.