

1-877-903-7246

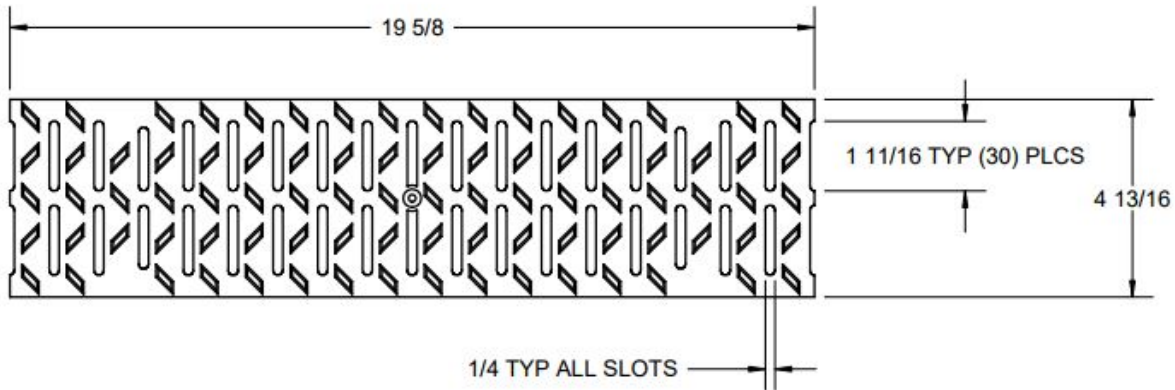


www.trenchdrainsupply.com


<p><b>Number</b></p> <p style="text-align: center;"><b>140145</b></p>	<p><b>Series</b></p> <p style="text-align: center;"><b>CPS100</b> C Glass Filled Slotted ADA Grate Pro Plus 100</p>
---	---



MEETS ADA AND HEEL-PROOF REQUIREMENTS.



**NOTE:**  
THIS GRATE CANNOT BE  
USED WITH DI FRAME 152431

<p><b>Manufacturer</b></p> <div style="border: 1px solid black; padding: 5px; text-align: center;">  </div> <p>Quality engineered trench drain system</p>	<p><b>Specification</b></p> <p>MEA 140145 SLOTTED PLASTIC (GLASS FILLED NYLON) GRATE WITH STARFIX SECURING FEATURE AND CLASS C LOAD RATING (56,000 LBS - 1,162 PSI), ADA, SUPPLIED BY TRENCH DRAIN SUPPLY.</p>
--	--

DISCLAIMER - The customer and the customer's architects, engineers, consultants, and other professionals are completely responsible for the selection installation and maintenance of any product purchased from Trench Drain Supply and/or its manufacturers. TRENCH DRAIN SUPPLY MAKES NO WARRANTY, EXPRESS OR IMPLIED, AS TO THE SUITABILITY, DESIGN, MERCHANTABILITY, OR FITNESS OF THE PRODUCT FOR CUSTOMERS APPLICATION. The drawing and information provided remain the property and copyright of the manufacturer listed. The manufacturer reserves the right to modify specification without notice.