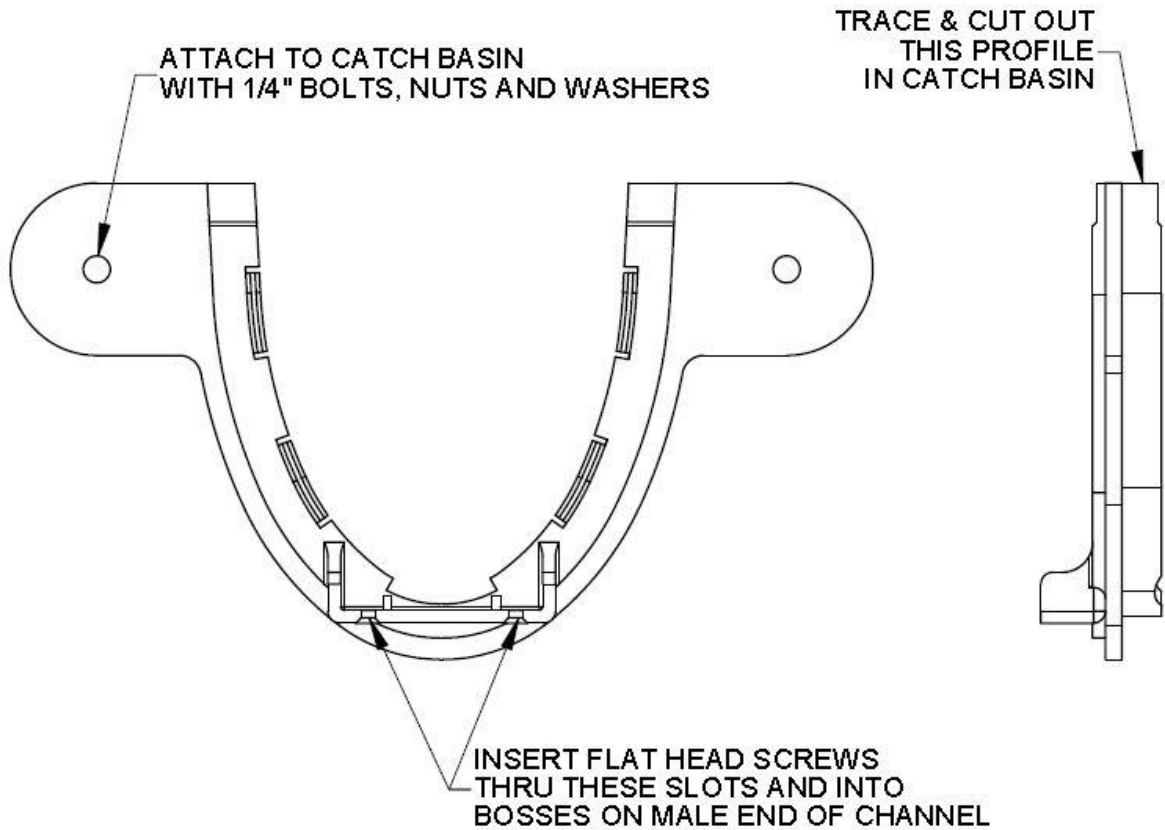
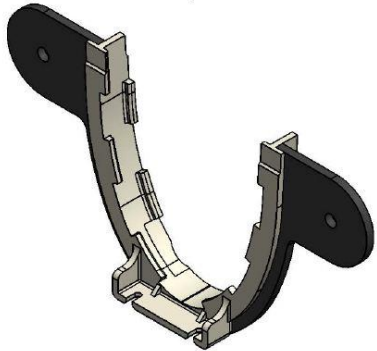


|   |  |
|---|--|
| <p><b>Number</b></p> <p><b>100-BSCB</b></p> | <p><b>Series</b></p> <p><b>CPS100</b><br/>Catch Basin Bracket<br/>Pro Plus 100</p> |
|---|--|

**100-BSCB Catch Basin Bracket**



**Manufacturer**



Quality engineered trench drain system

**Specification**

CATCH BASIN BRACKET BOLTS TO 20" X 24" CATCH BASIN (NOT 100-SB) WITH BOLTS, NUTS AND WASHERS AND PROVIDES SUPPORT FOR MALE END OF 100 SIZE CHANNEL. TWO SCREWS THREAD INTO BOSSES ON BOTTOM OF CHANNEL AND SECURE CHANNEL TO BRACKET, SUPPLIED BY TRENCH DRAIN SUPPLY.

DISCLAIMER - The customer and the customer's architects, engineers, consultants, and other professionals are completely responsible for the selection installation and maintenance of any product purchased from Trench Drain Supply and/or its manufacturers. TRENCH DRAIN SUPPLY MAKES NO WARRANTY, EXPRESS OR IMPLIED, AS TO THE SUITABILITY, DESIGN, MERCHANTABILITY, OR FITNESS OF THE PRODUCT FOR CUSTOMERS APPLICATION. The drawing and information provided remain the property and copyright of the manufacturer listed. The manufacturer reserves the right to modify specification without notice.