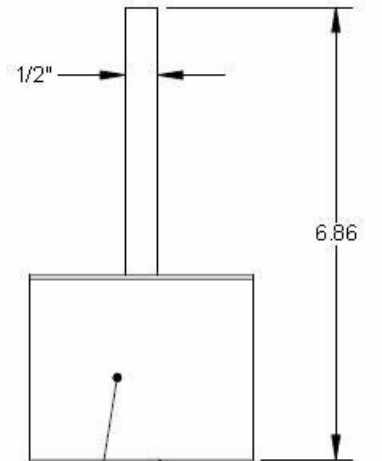
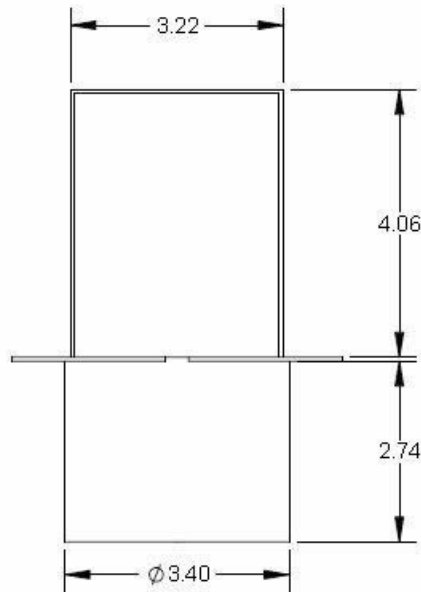
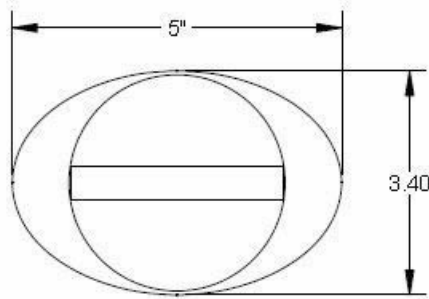
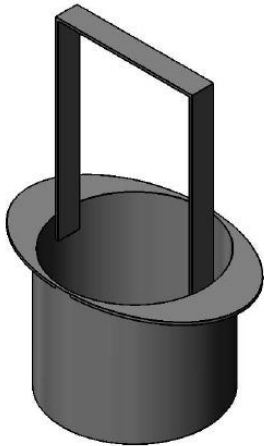


|  |   |
|--|---|
| <p><b>Number</b></p> <p style="text-align: center;"><b>100-BOS</b></p> | <p><b>Series</b></p> <p style="text-align: center;"><b>CPS100</b><br/>Bottom Outlet Strainer<br/>Pro Plus 100</p> |
|--|---|

**100-BOS Bottom Outlet Strainer**



|  |               |
|--|---------------|
|  | OPTION:       |
|  | SOLID BOTTOM  |
|  | SS MESH LINED |

PERFORATED 304 STAINLESS STEEL  
1/8" OPENINGS  
STAGGERED HOLES  
40% OPEN AREA

PERFORATED OR OPTIONAL SOLID BOTTOM

**Manufacturer**



**Specification**

STRAINER TO FIT INSIDE OF BOTTOM OUTLET PART 100-OB4. CONSTRUCTED OF 304 STAINLESS STEEL. CATCHES 1/8" DIAMETER AND LARGER PARTICLES., SUPPLIED BY TRENCH DRAIN SUPPLY.

DISCLAIMER - The customer and the customer's architects, engineers, consultants, and other professionals are completely responsible for the selection installation and maintenance of any product purchased from Trench Drain Supply and/or its manufacturers. TRENCH DRAIN SUPPLY MAKES NO WARRANTY, EXPRESS OR IMPLIED, AS TO THE SUITABILITY, DESIGN, MERCHANTABILITY, OR FITNESS OF THE PRODUCT FOR CUSTOMERS APPLICATION. The drawing and information provided remain the property and copyright of the manufacturer listed. The manufacturer reserves the right to modify specification without notice.