

**SPECIFICATION:**

MEA-JOSAM 300C20-11-SB SILT BOX WITH OPTIONAL SEDIMENT BUCKET WITH SLOPE FOR USE WITH PRO-PLUS 300C SERIES 12" INTERNAL WIDTH TRENCH CHANNELS. MADE FROM POLYMER CONCRETE AND SMC/GRP EDGES WITH PIPE CONNECTIONS.

**PRO-PLUS  
SILT BOX**

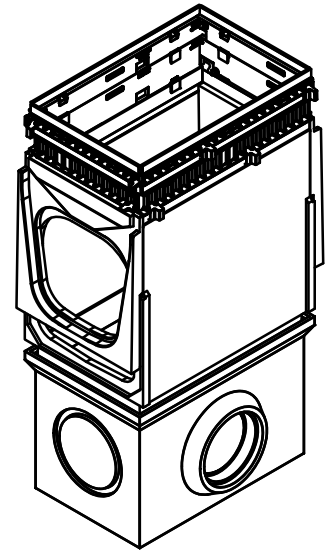
SERIES **300C20-11-SB**

Supplied By:

**TRENCHDRAIN  
SUPPLY**

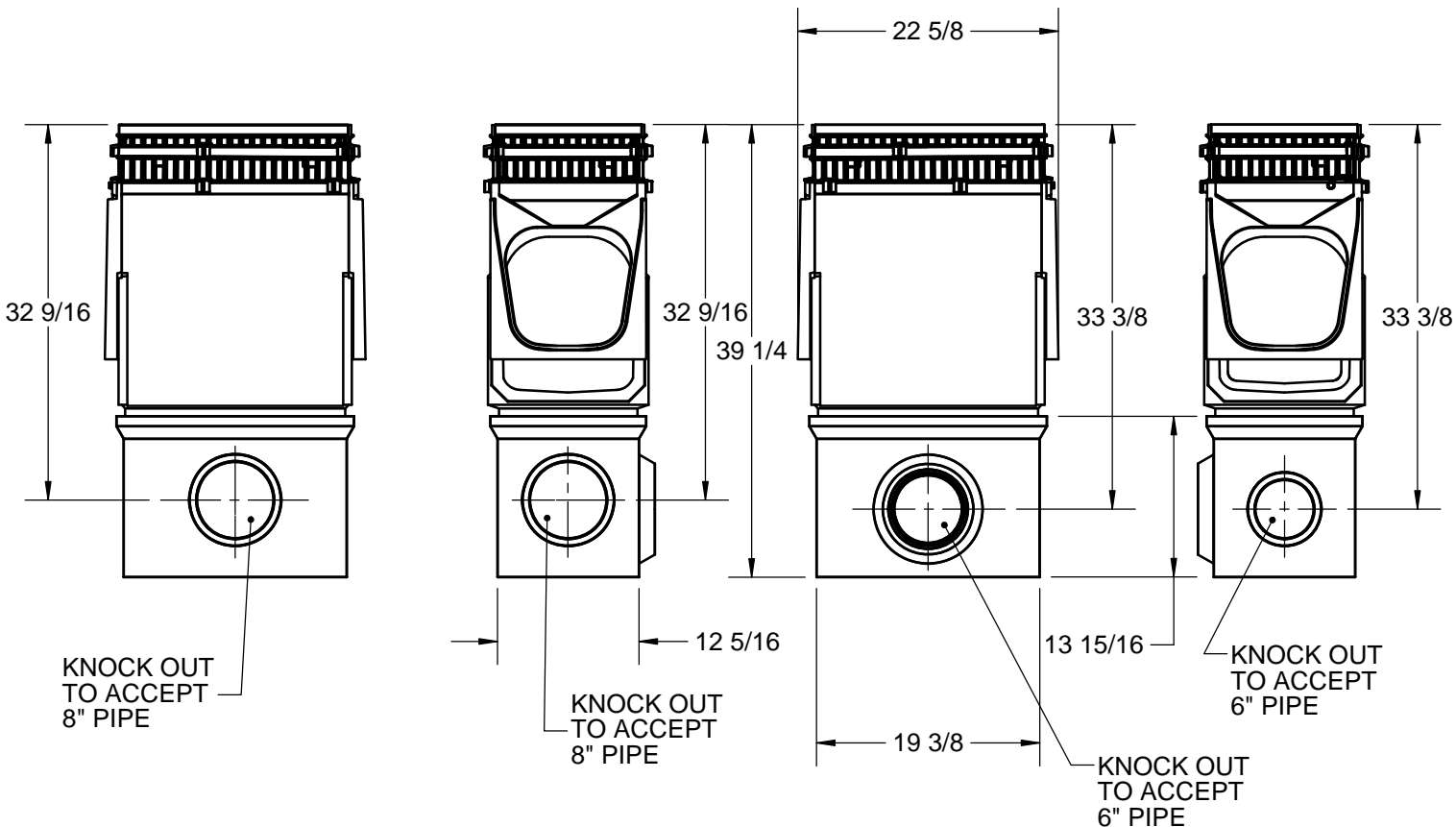
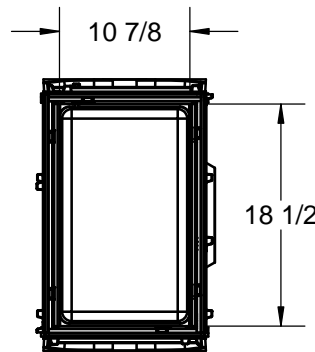
877-903-7246

www.trenchdrainsupply.com



**NOTES:**

1. GALVANIZED STEEL SEDIMENT BUCKET PART NUMBER 154713 IS AVAILABLE
2. ESTIMATED ASSEMBLY WEIGHT: 141 LBS



**-SSE STAINLESS STEEL EDGE**

DATE OF LAST CHANGE: 2/24/16

DIMENSIONS ARE SUBJECT TO MANUFACTURERS TOLERANCES AND CHANGE WITHOUT NOTICE. WE CAN ASSUME NO RESPONSIBILITY FOR USE OF SUPERSEDED OR VOID DATA.

**JOSAM COMPANY**  
MICHIGAN CITY, INDIANA

NOTES