

SPECIFICATION:

MEA-JOSAM 300C10-11-SB SILT BOX WITH OPTIONAL SEDIMENT BUCKET WITH SLOPE FOR USE WITH PRO-PLUS 300C SERIES 12" INTERNAL WIDTH TRENCH CHANNELS. MADE FROM POLYMER CONCRETE AND SMC/GRP EDGES WITH PIPE CONNECTIONS.

**PRO-PLUS
SILT BOX**

SERIES **300C10-11-SB**

Supplied By:

**TRENCHDRAIN
SUPPLY**

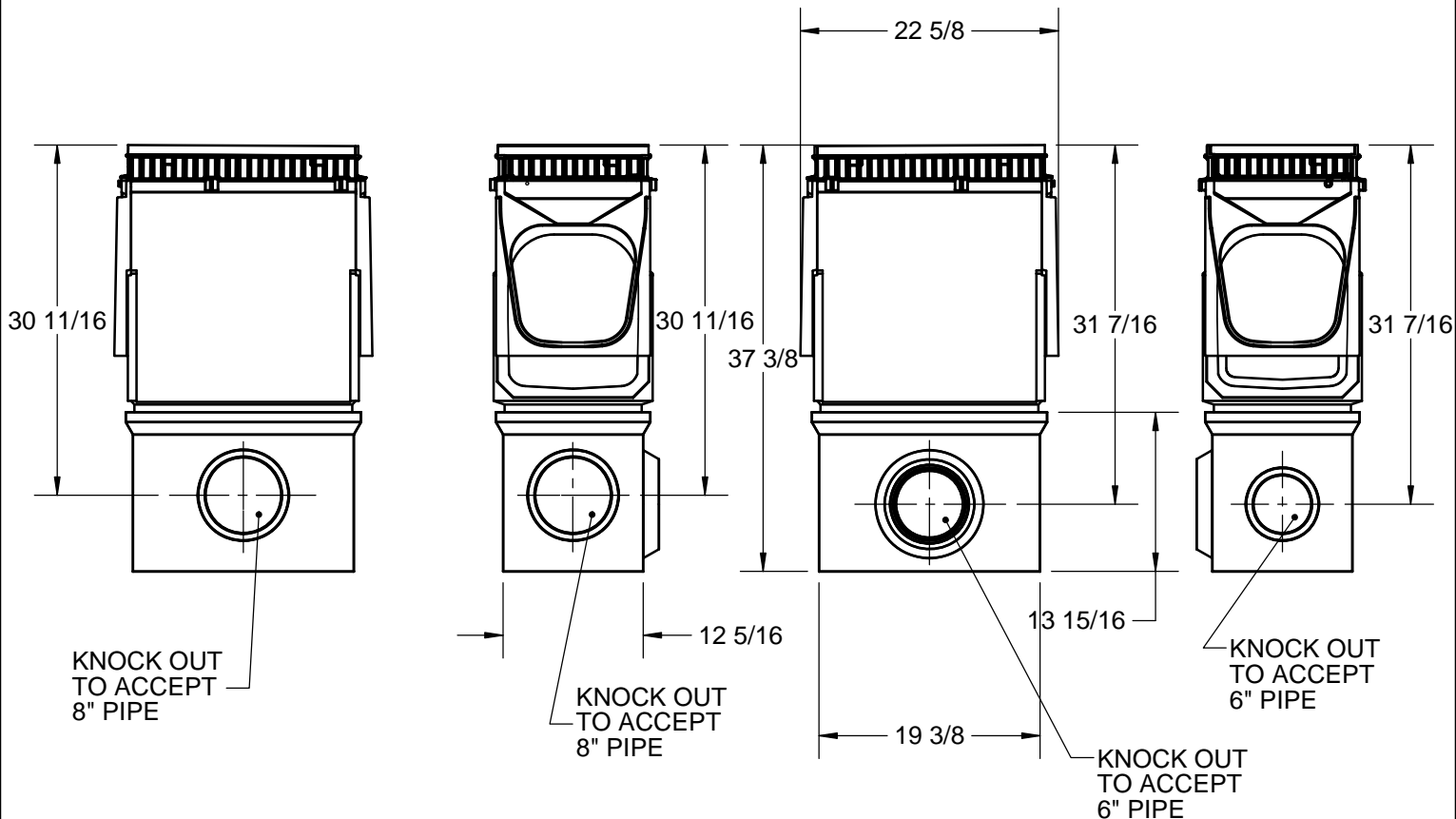
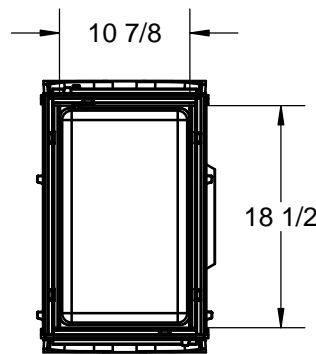
877-903-7246

www.trenchdrainsupply.com

NOTES:

1. GALVANIZED STEEL SEDIMENT BUCKET PART NUMBER 154713 IS AVAILABLE
2. ESTIMATED ASSEMBLY WEIGHT: 134 LBS

	-SSE	STAINLESS STEEL EDGE
--	------	----------------------



DATE OF LAST CHANGE: 8/10/15

DIMENSIONS ARE SUBJECT TO MANUFACTURERS TOLERANCES AND CHANGE WITHOUT NOTICE. WE CAN ASSUME NO RESPONSIBILITY FOR USE OF SUPERSEDED OR VOID DATA.

JOSAM COMPANY
MICHIGAN CITY, INDIANA

NOTES