

SPECIFICATION:

MEA-JOSAM 300C10-11-SB-3 THREE PIECE SILT BOX WITH OPTIONAL SEDIMENT BUCKET WITH SLOPE FOR USE WITH PRO-PLUS 300C SERIES 12" INTERNAL WIDTH TRENCH CHANNELS. MADE FROM POLYMER CONCRETE AND SMC/GRP EDGES WITH PIPE CONNECTIONS.

PRO-PLUS

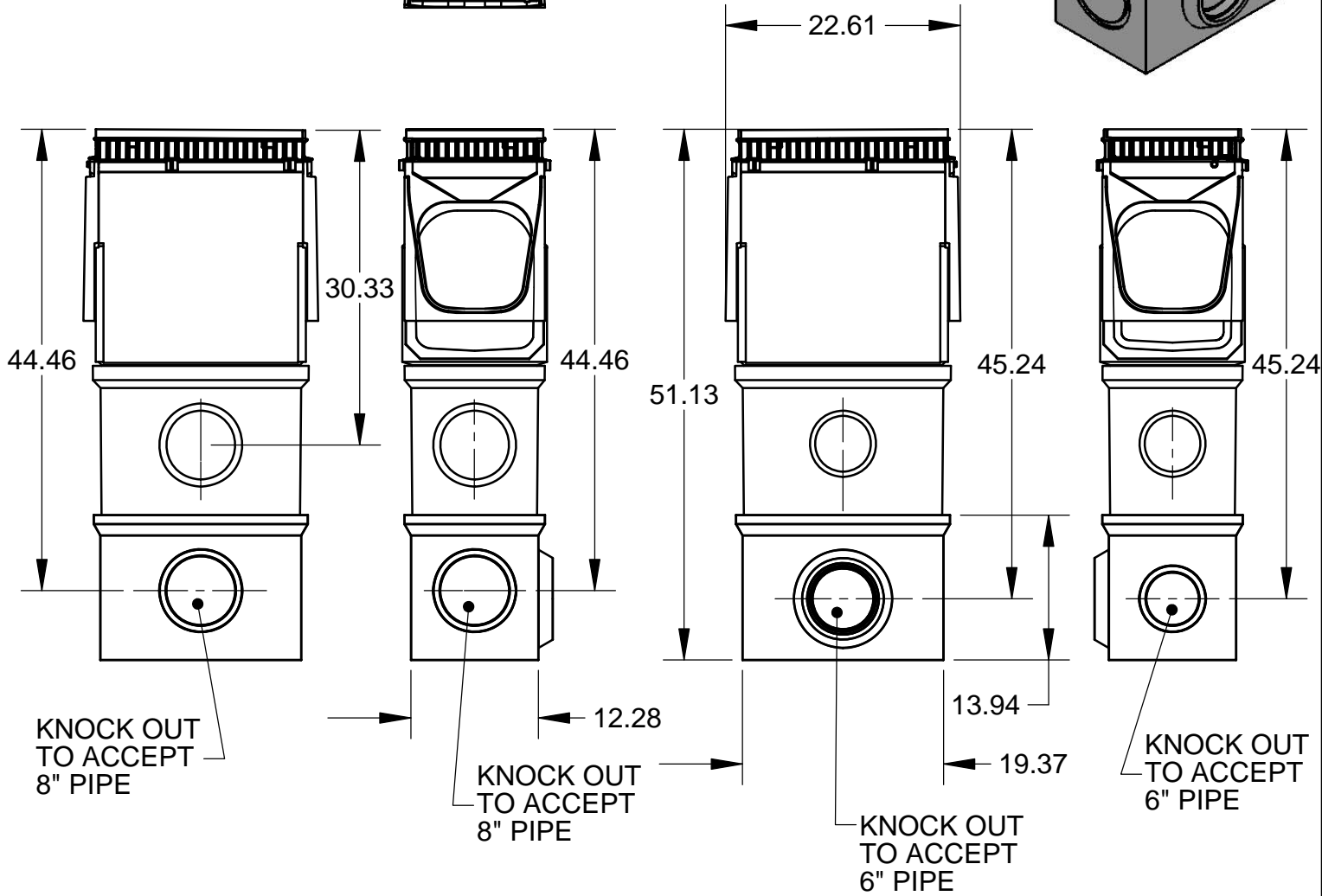
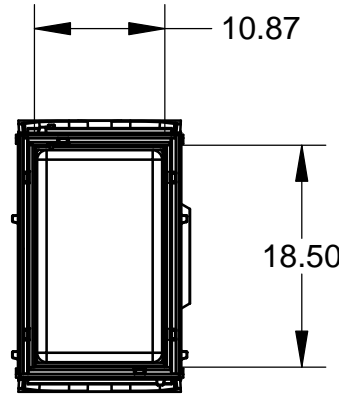
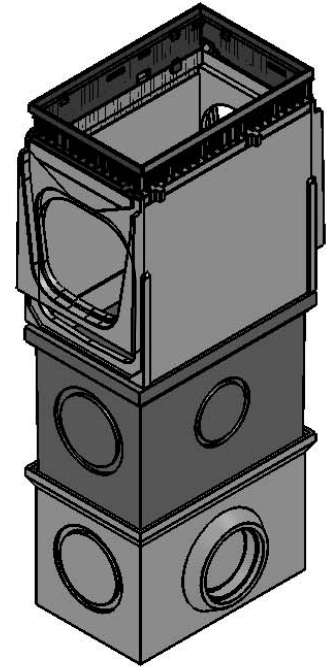
**SILT BOX
3 - PIECE**

SERIES 300C10-11-SB-3

NOTES:

- GALVANIZED STEEL SEDIMENT BUCKET PART NUMBER 154713 IS AVAILABLE

Supplied By:
**TRENCHDRAIN
SUPPLY**
 877-903-7246
 www.trenchdrainsupply.com



DATE OF LAST CHANGE: 1/31/2012

DIMENSIONS ARE SUBJECT TO MANUFACTURERS TOLERANCES AND CHANGE WITHOUT NOTICE. WE CAN ASSUME NO RESPONSIBILITY FOR USE OF SUPERSEDED OR VOID DATA.

JOSAM COMPANY
 MICHIGAN CITY, INDIANA

NOTES