

**SPECIFICATION:**

300-SIO8 IS AN ASSEMBLY OF A 300-CT AND A 300-OE8. PARTS ARE ASSEMBLED AND SILICONE IS APPLIED IN ALL GAPS. SECURES TO BOTTOM OF TRENCH WITH TWO SCREWS AND PROVIDES A SIDE INLET OR OUTLET FOR 8" PVC PIPE TO CONNECT TO.

SIDE INLET/OUTLET CONNECTOR

MEA-JOSAM

SERIES

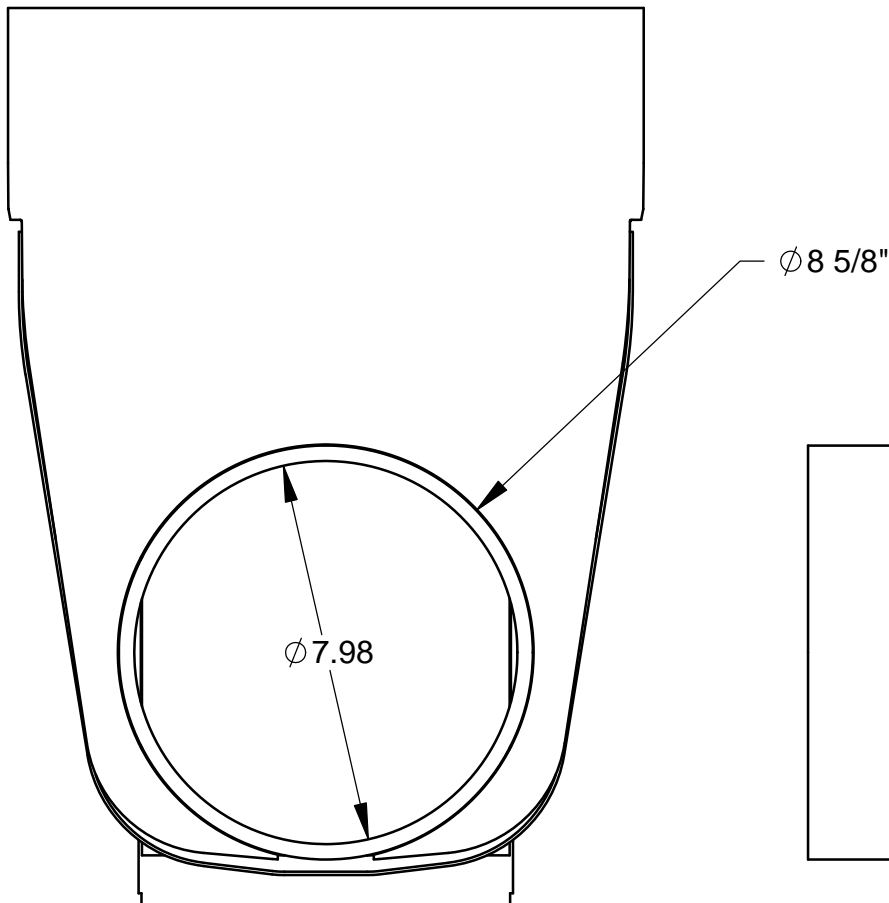
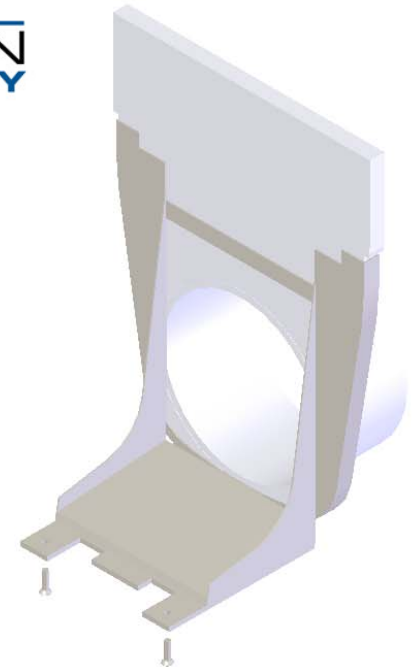
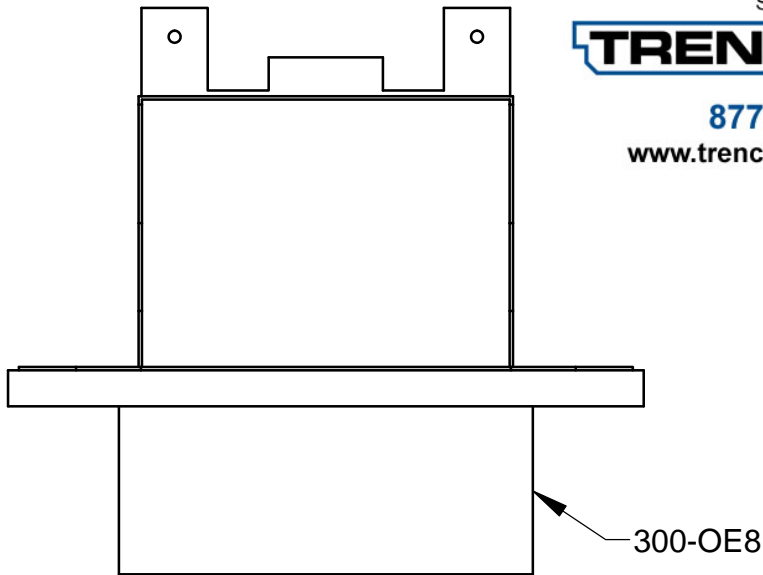
**300-SIO8**

Supplied By:

**TRENCHDRAIN  
SUPPLY**

877-903-7246

www.trenchdrainsupply.com



SCREWS INCLUDED



DATE OF LAST CHANGE: 5/17/2012

DIMENSIONS ARE SUBJECT TO MANUFACTURERS TOLERANCES AND CHANGE WITHOUT NOTICE. WE CAN ASSUME NO RESPONSIBILITY FOR USE OF SUPERSEDED OR VOID DATA.

**JOSAM COMPANY**  
MICHIGAN CITY, INDIANA

NOTES