

**SPECIFICATION:**

MEA-JOSAM 300-SB SILT BOX WITH OPTIONAL SEDIMENT BUCKET FOR USE WITH PRO-PLUS 300C SERIES 12" INTERNAL WIDTH TRENCH CHANNELS. MADE FROM POLYMER CONCRETE AND SMC/GRP EDGES WITH PIPE CONNECTIONS.

**PRO-PLUS  
SILT BOX**

SERIES **300-SB**

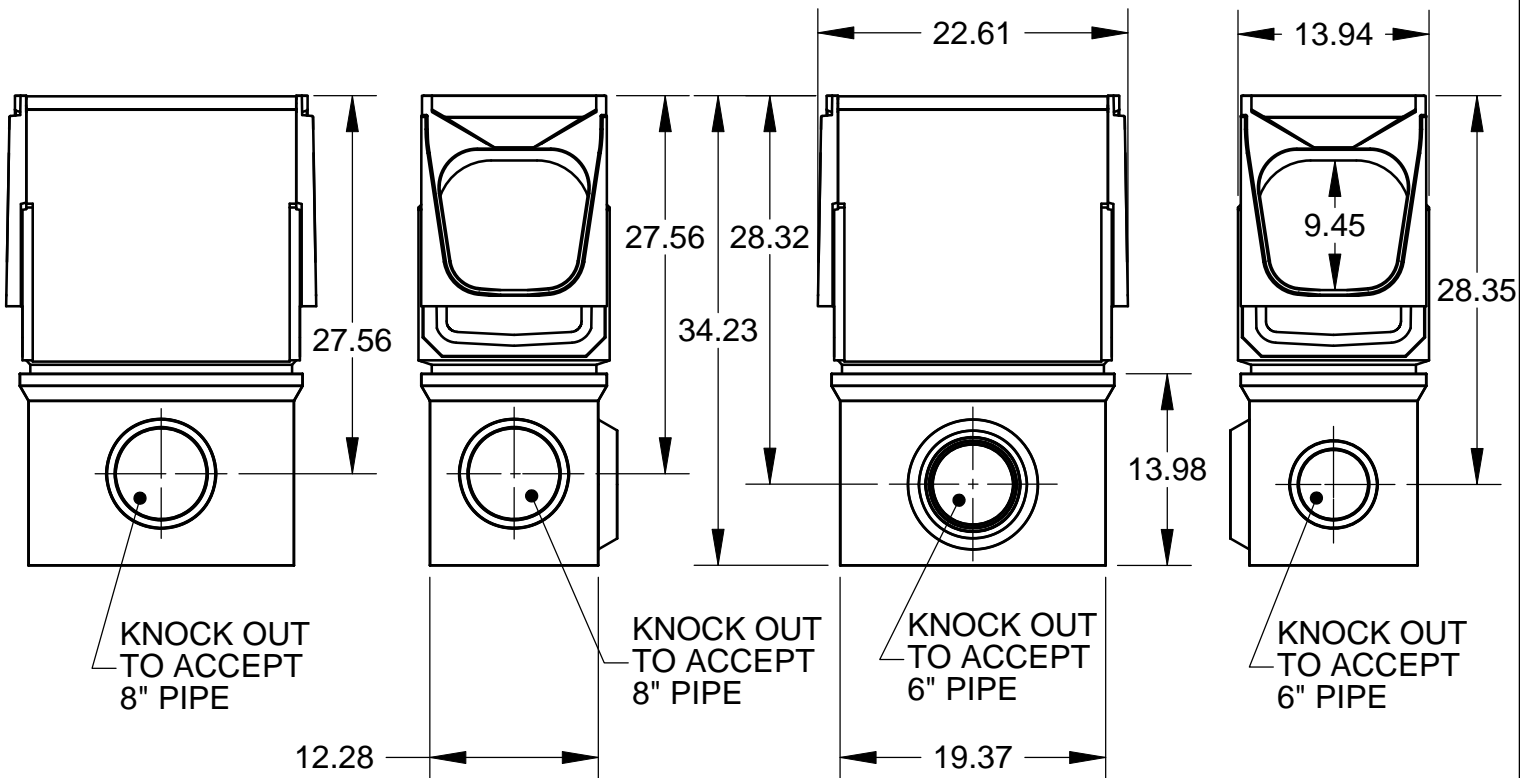
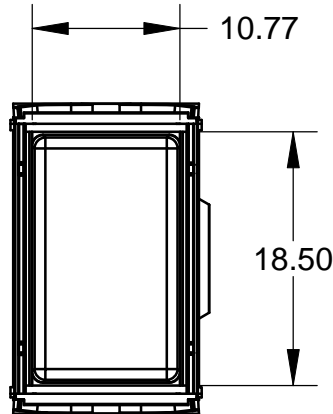
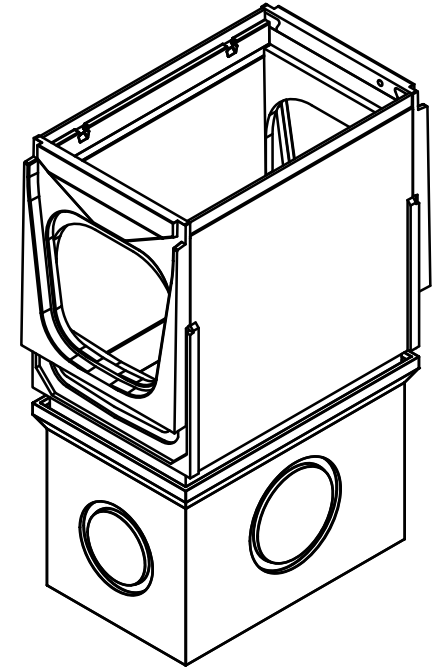
Supplied By:



877-903-7246

www.trenchdrainsupply.com

NOTE:  
GALVANIZED STEEL SEDIMENT BUCKET  
PART NUMBER 154713 IS AVAILABLE



DATE OF LAST CHANGE: 10/13/09

DIMENSIONS ARE SUBJECT TO MANUFACTURERS TOLERANCES AND CHANGE WITHOUT NOTICE. WE CAN ASSUME NO RESPONSIBILITY FOR USE OF SUPERSEDED OR VOID DATA.

**JOSAM COMPANY**  
MICHIGAN CITY, INDIANA

NOTES