

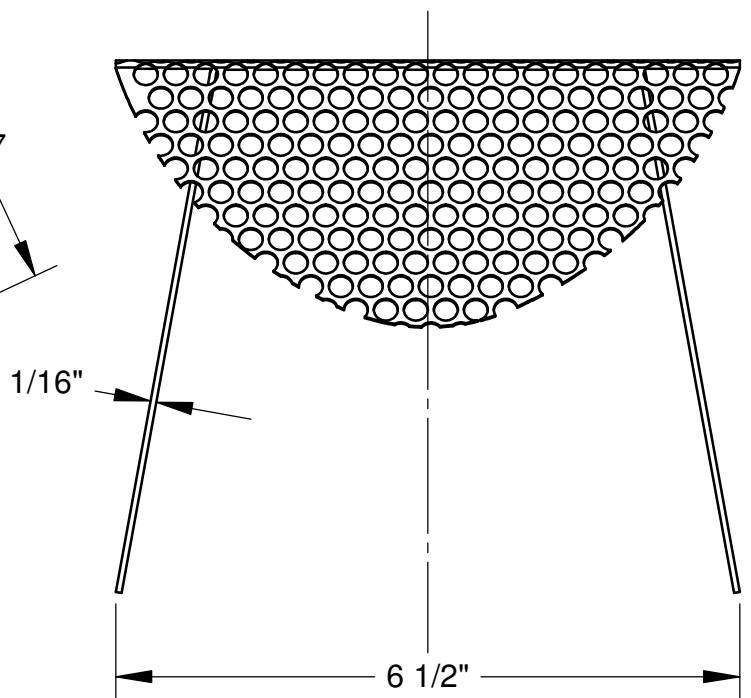
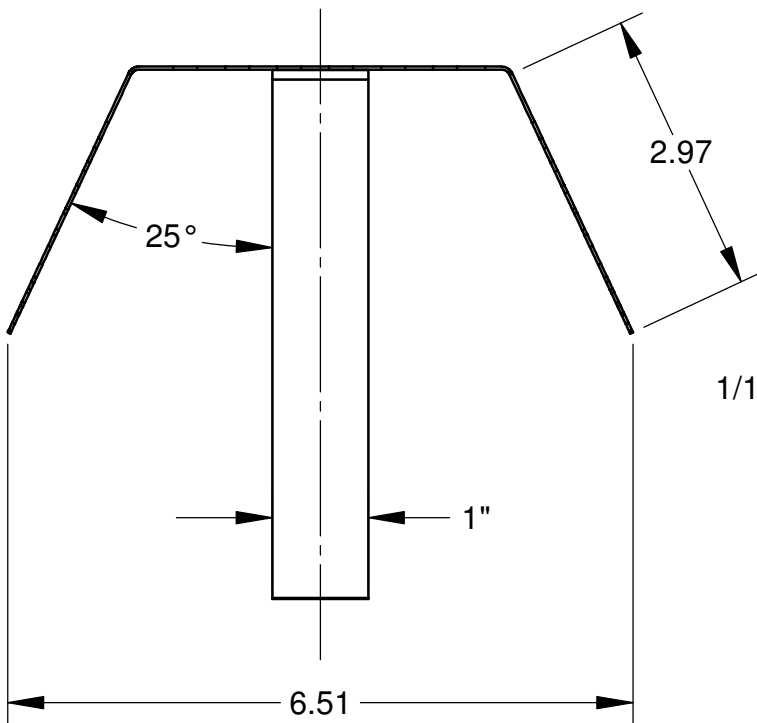
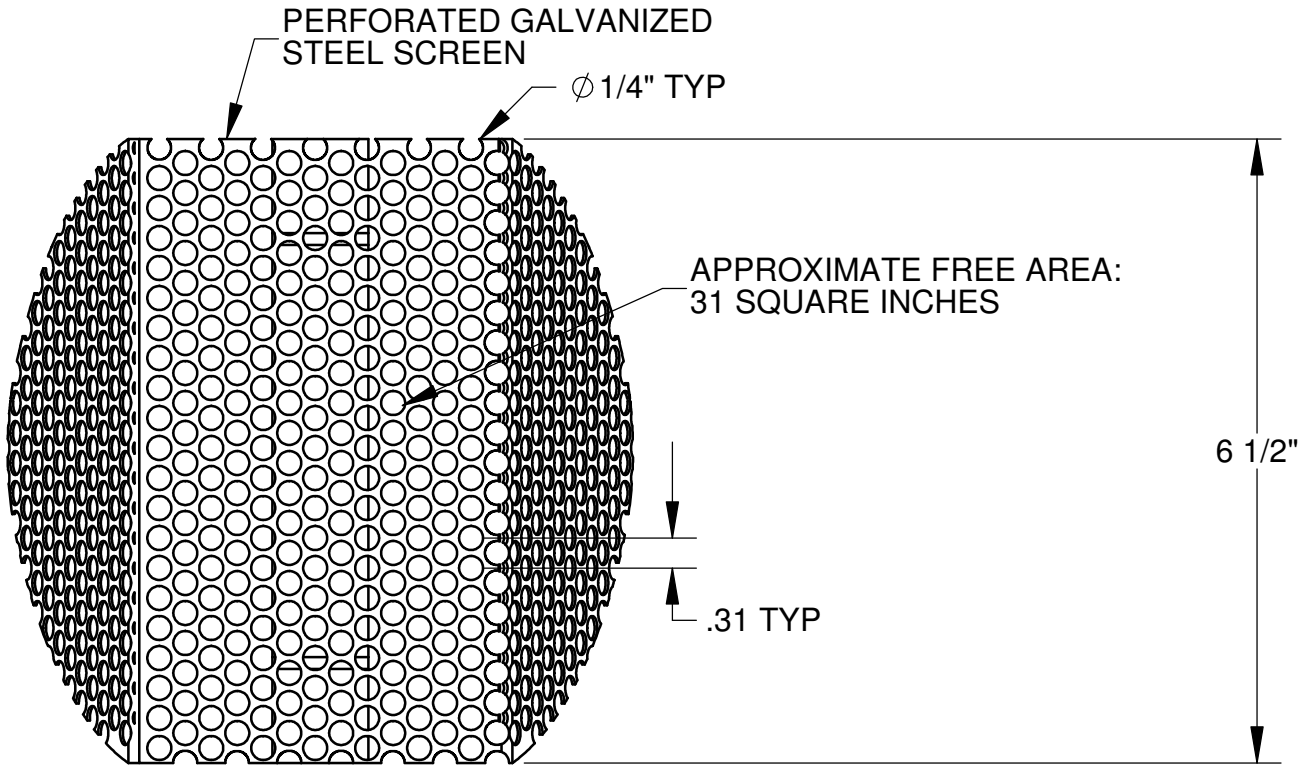
**SPECIFICATION:**

MEA-JOSAM 200 DOME BOTTOM OUTLET STRAINER WITH PERFORATED GALVANIZED STEEL SCREEN.

**PRO-PLUS**  
DOME BOTTOM STRAINER 200C

Supplied By:  
**TRENCHDRAIN SUPPLY** 877-903-7246  
www.trenchdrainsupply.com

SERIES **200-DBS**



DATE OF LAST CHANGE: 2/13/14

DIMENSIONS ARE SUBJECT TO MANUFACTURERS TOLERANCES AND CHANGE WITHOUT NOTICE. WE CAN ASSUME NO RESPONSIBILITY FOR USE OF SUPERSEDED OR VOID DATA.

**JOSAM COMPANY**  
MICHIGAN CITY, INDIANA

NOTES