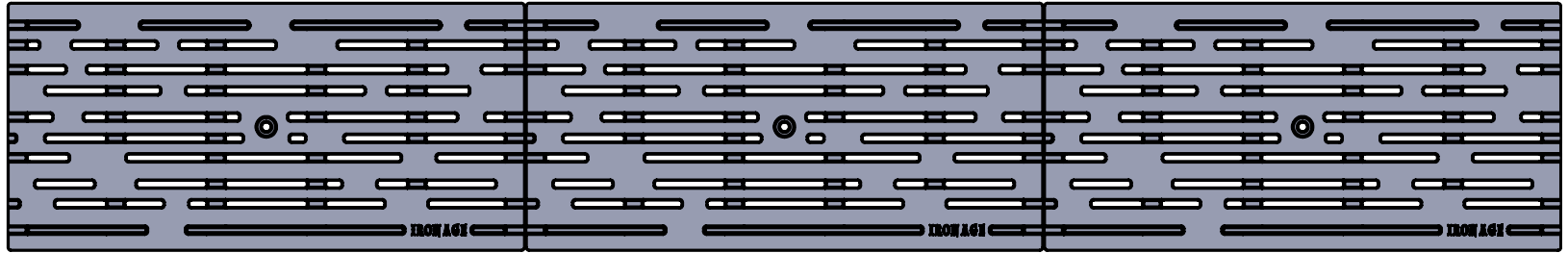
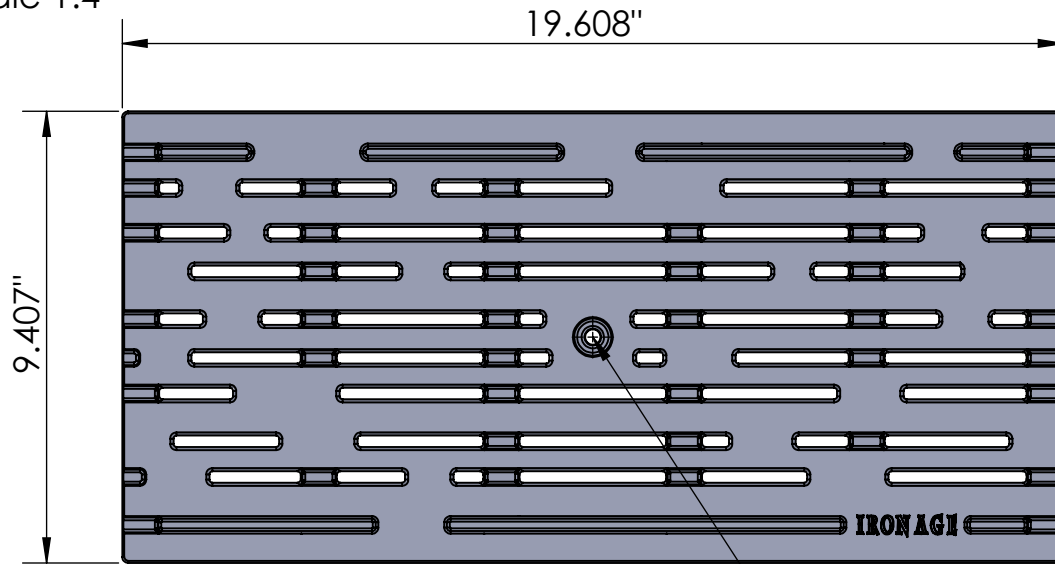


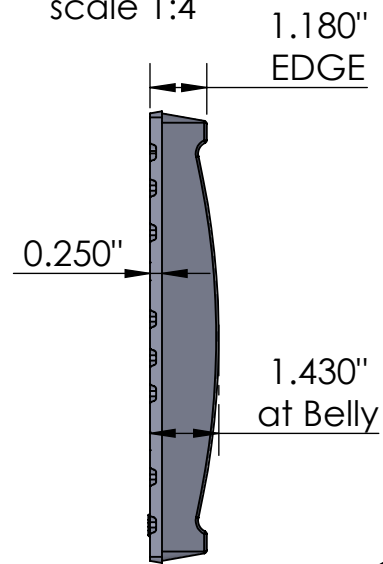
3 ARRAY
scale 1:7



TOP VIEW
scale 1:4



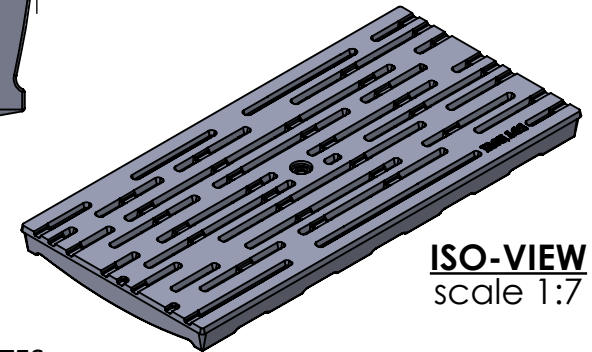
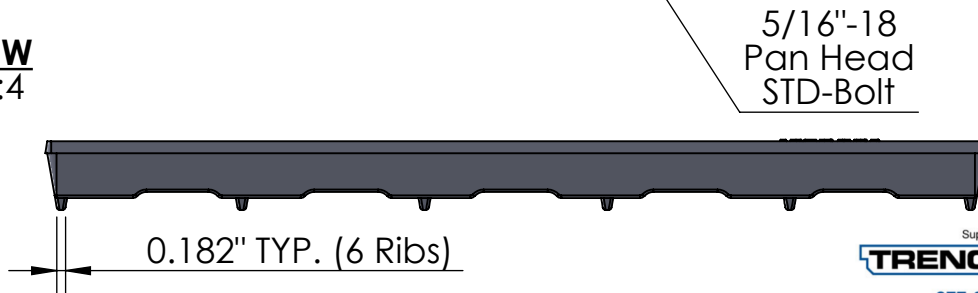
END VIEW
scale 1:4



CASTING-ID
scale 1:2



SIDE VIEW
scale 1:4



ISO-VIEW
scale 1:7


NOTES:

1. Heelproof: No thru openings greater than 1/4".
2. Ships in pieces: 1
3. Due to casting inconsistencies, all dimensions are nominal.

Made in USA ©2016 Iron Age Designs

Supplied By:
TRENCH DRAIN SUPPLY
877-903-7246
www.trenchdrainsupply.com

Rain 10" x 20" Trench Grate Heel Proof, Heavy Duty

 Telephone 206.276.0925 www.ironagegrates.com	Material: Ductile Iron 65-45-12	Weight: 21.88 lbs.	Free Drain Area: 22.15 in./sq., or 12.00 %	By: MS	Checked: MS	Date: 4-2-21
	Finish: Raw	Edge: 1.180"	Flow Rate: 29.01 GPM, or .064 CuFt./sec.	© Registration: VA 2-112-778		Scale: NTS
	Fits: ACO™ K200	Product ID: RNA10-20I24HPHD	Drawing Name: 02_RAI_A_10x20HPHD_TrenchGrate_Iron			