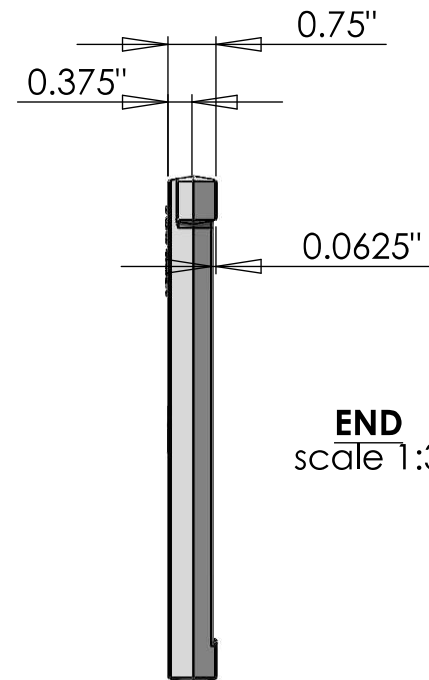
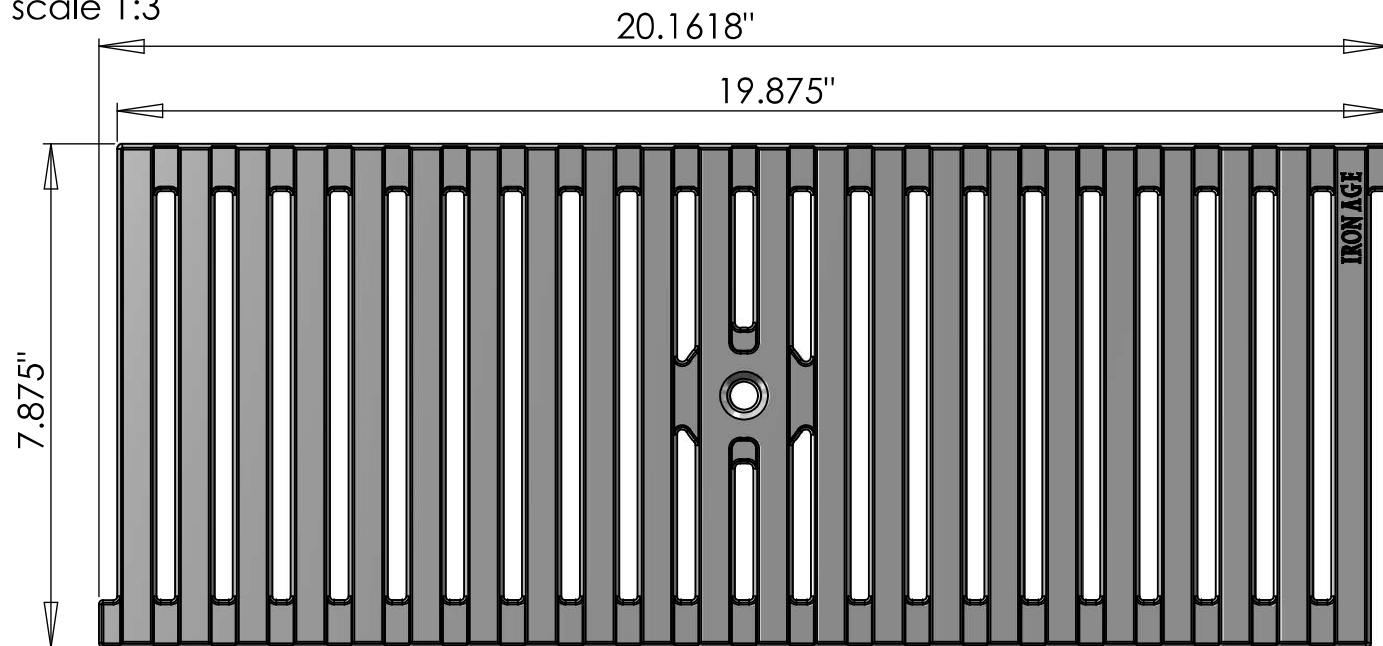


TOP
scale 1:3

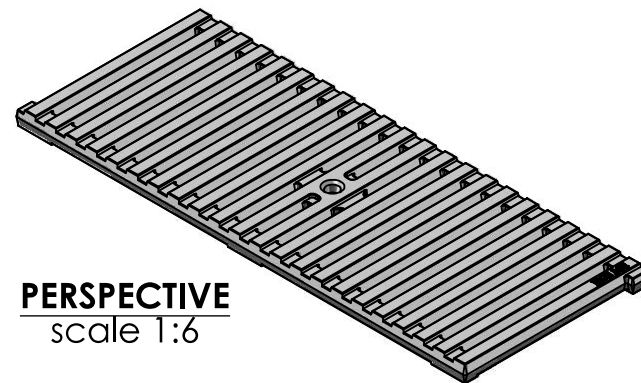
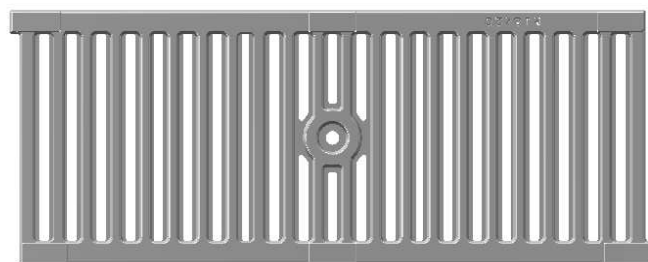


END
scale 1:3



EDGE
scale 1:3

BACK
scale 1:6



PERSPECTIVE
scale 1:6

NOTES:

1. Material: cast iron
2. Finish: Natural
3. Total Thickness: 3/4"
4. No openings greater than: 1/2"
5. Trench manufactured to fit:
NDS® 8" Pro Series
6. Due to casting inconsistencies all dimensions are nominal

© 2013 Iron Age Designs

Supplied By:

TRENCH DRAIN SUPPLY

877-903-7246

www.trenchdrainsupply.com

IRON AGE 2104 SW 152nd St #4 TEL 206.276.0925
 Burién, WA 98166 FAX 206.257.0318
 DESIGNS www.ironagedrains.com

Regular Joe 8"x20" Trench Grate

JOB NO.

Drawn by: JH

DWG. NO. 001-JOE.C.8x20

Date: 02/21/13

Scale: NTS