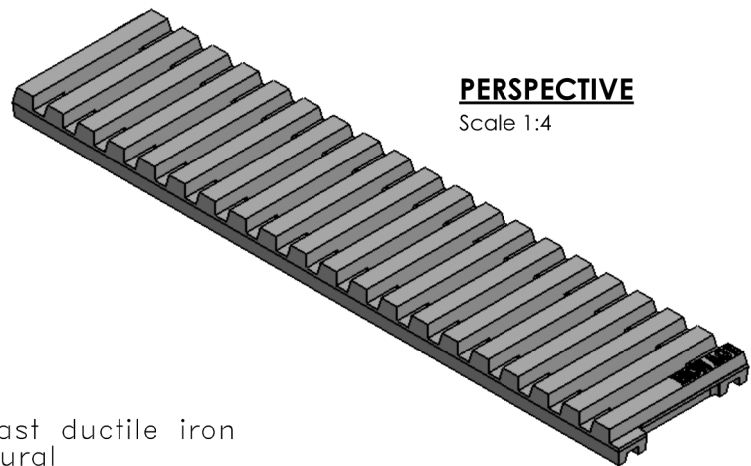
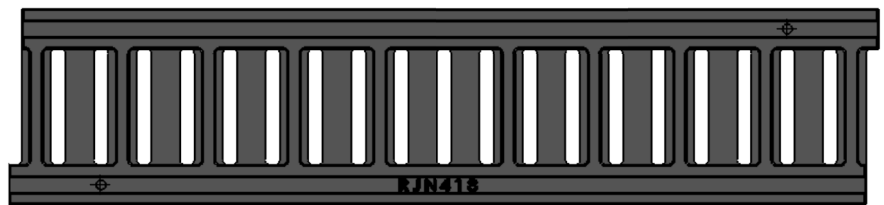


BOTTOM
Scale 1:4



Supplied By:
TRENCHDRAIN SUPPLY
 877-903-7246
 www.trenchdrainsupply.com

IRON AGE 2104 SW 152nd St #4 TEL 206.276.0925
 Burién, WA 98166 FAX 206.257.0318
 DESIGNS www.ironagedesigns.com

- NOTES:**
1. Material: cast ductile iron
 2. Finish: Natural
 3. Edge thickness: 3/4"
 4. Fits drain channel manufactured by: NDS™ Speed-D Channel
 5. No openings greater than 1/2"
 6. Weight approx. 7 lbs.
 7. Free Drain Area: 19.3 | Gallons Per Minute: 18.2
 8. Due to casting inconsistencies, all dimensions nominal

Regular Joe 4"x18" Trench Grate

JOB NO. _____ Drawn by: JH
 Date: 5/17/16
 DWG. NO. 01-JOE.N.4x18 Scale: Not to Scale