

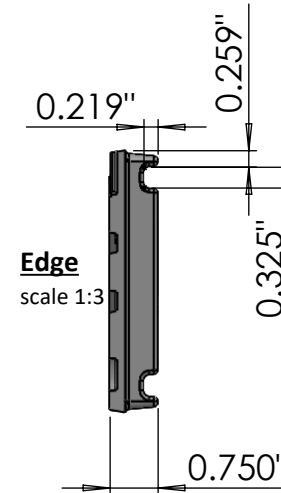
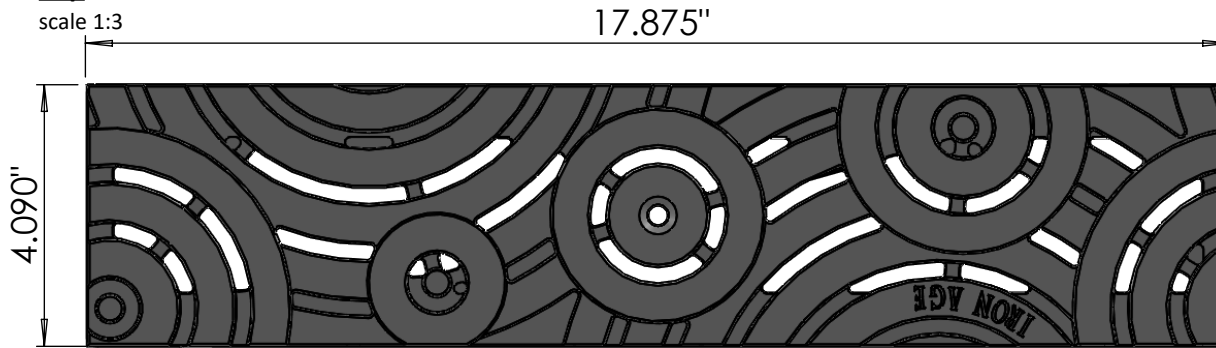
**Array 3x**

scale 1:7



**Top**

scale 1:3

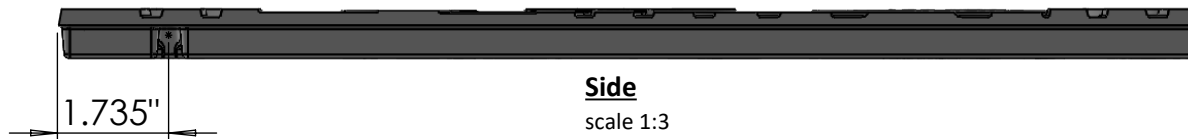
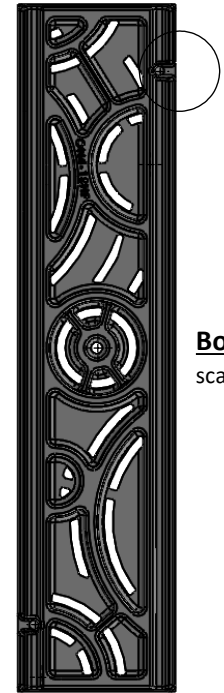


**Edge**

scale 1:3

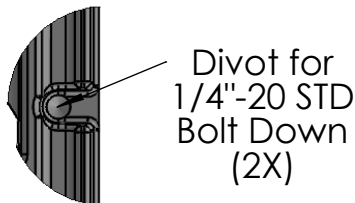
**Bottom**

scale 1:5



**Side**

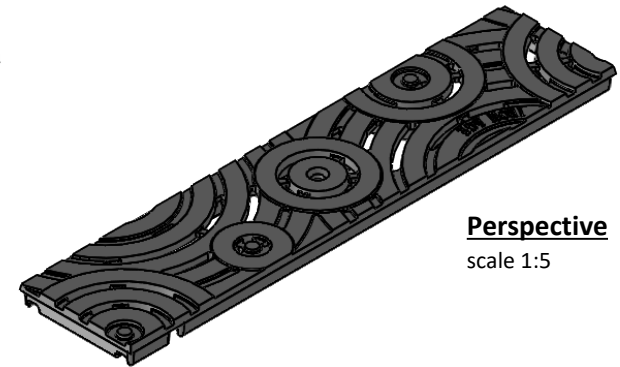
scale 1:3



Divot for  
1/4"-20 STD  
Bolt Down  
(2X)



Casting  
Identifier



**Perspective**

scale 1:5

**NOTES:**

1. Heel Proof: No thru openings greater than 1/4"
2. Ships in 1 piece.
3. Due to casting inconsistencies, all dimensions are nominal.

Made in USA ©2018 Iron Age Designs

**Oblio 4" x 18" Heel Proof Trench Grate**

Supplied By:  
**TRENCH DRAIN SUPPLY**  
877-903-7246  
www.trenchdrainsupply.com

Material: Cast Ductile Iron

Standard Finish: Raw

Fits: NDS® Spee-D® Channel

Weight: 7.66 lbs.

Edge Thickness: 0.75"

Product ID: ON4-18I02HP

Free Area 6.92"sq (approx): (9.45%)

Gallon/ Min sq area x FDA (approx): x1.31= 12.38 GPM

Drawing Name: 01\_OBL\_NDS\_4x18\_HP

By: JH checked by MS Date: 11/28/18

Scale: 1:3

© Registration: