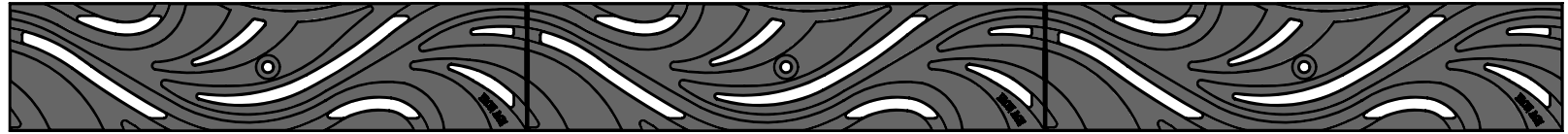
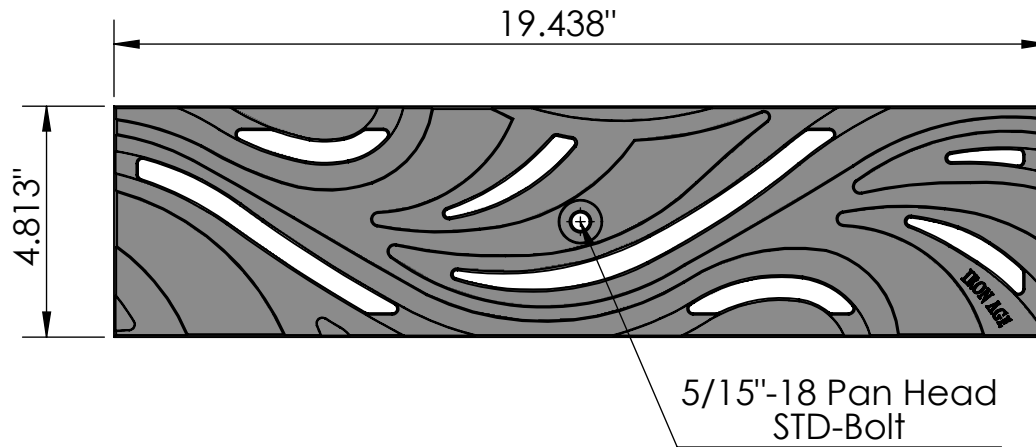


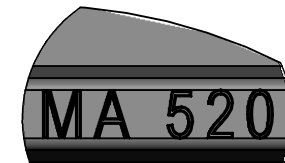
3 ARRAY
scale 1:7



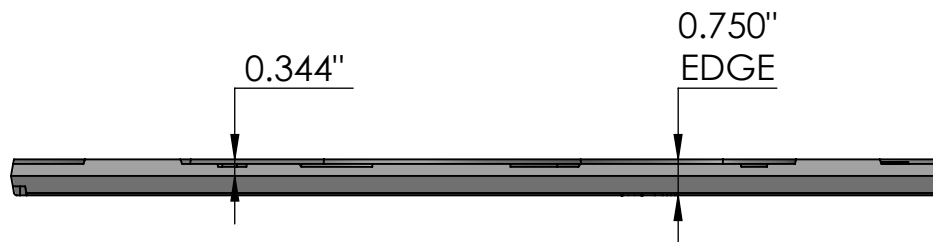
TOP VIEW
scale 1:4



CASTING-ID
scale 1:1



SIDE VIEW
scale 1:4



ISO-VIEW
scale 1:5


Supplied By:
**TRENCH DRAIN
SUPPLY**
877-903-7246
www.trenchdrainsupply.com

NOTES:

1. ADA Compliant: No thru openings greater than 1/2".
2. Ships in pieces: 1
3. Due to casting inconsistencies, all dimensions are nominal.

Made in USA ©2012 Iron Age Designs

Minnione 5" x 20" Trench Grate

 IRON AGE DESIGNS Telephone 206.276.0925 www.ironagegrates.com	Material: Ductile Iron 65-45-12	Weight: 8.62 lbs.	Free Drain Area: 11.20 in/sq., or 12.69 %	By: MS Checked: MS Date: 11-17-21
	Finish: Raw	Edge: 0.750"	Flow Rate: 14.68 GPM, or .032 CuFt./sec.	© Registration: VA 1-970-733 Scale: NTS
	Fits: ABT® Polydrain® ACO™ K100/K100S/KS100 MEA® 1000 Series	Product ID: MA5-20B21	Drawing Name: 01_MIN_A_5x20_TrenchGrate_Iron	