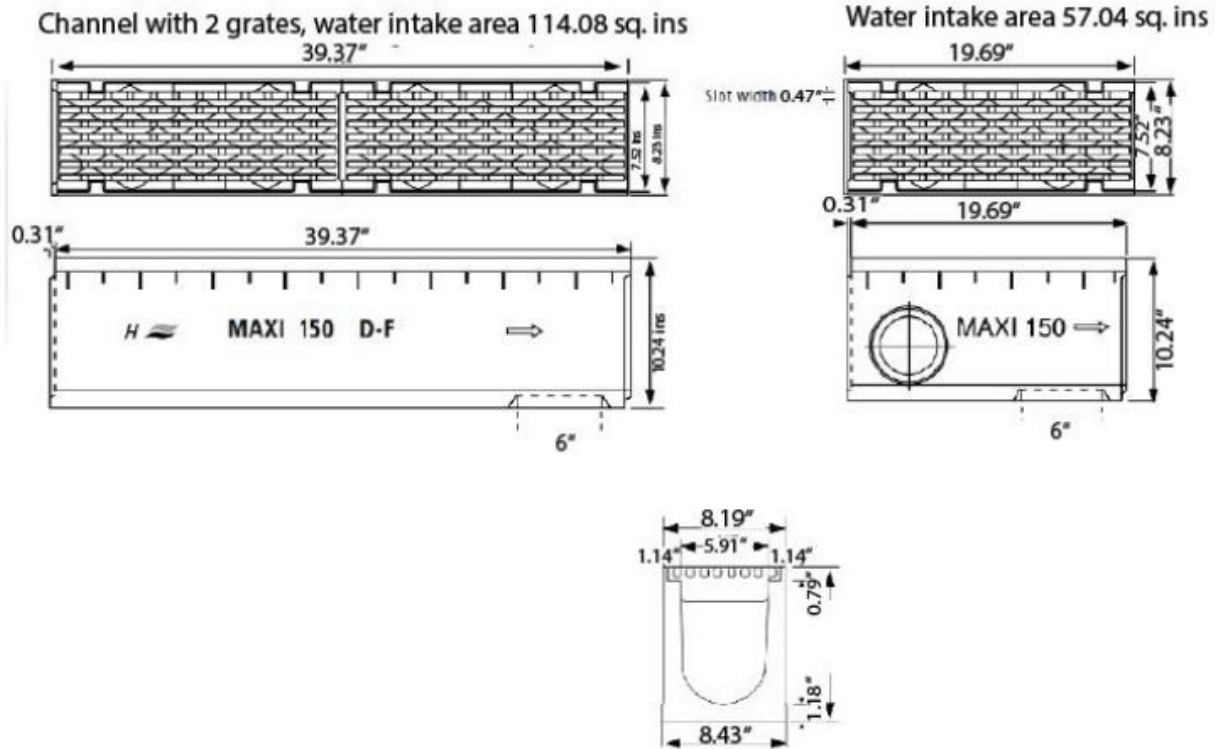



<p>Number MAXI 150 D Class Grate</p>	<p>Series MAX150 Trench Drain Grate MAXI 150</p>
--	--

MAXI150 with Ductile Iron ADA Load Class D (Part No. CHG61540-*) and ADA Load Class F (Part No. CHG61560-*)



MAXI 5.91" [150] wide throat **Ductile Iron ADA Grate** is rated class D per the DIN EN1433 top load classifications. Ductile Iron conforms to ASTM specification A536-84, Grade 80-55-06. Supplied in 39.37" [1000] or 19.69" [500] nominal lengths with 0.94/0.47 [24/12] wide slots. Grate has an open area of 34.77 sq. in per ft. [73,600 sq.mm per meter].

<p>Manufacturer</p> 	<p>Specification</p> <p>HYDROTEC MAXI 150 SERIES FIBER REINFORCED CONCRETE WITH A DUCTILE IRON EDGE 6" WIDTH DRAINAGE CHANNEL. WITH SLOPE , SUPPLIED BY TRENCH DRAIN SUPPLY.</p>
--	---

DISCLAIMER - The customer and the customer's architects, engineers, consultants, and other professionals are completely responsible for the selection installation and maintenance of any product purchased from Trench Drain Supply and/or its manufacturers. TRENCH DRAIN SUPPLY MAKES NO WARRANTY, EXPRESS OR IMPLIED, AS TO THE SUITABILITY, DESIGN, MERCHANTABILITY, OR FITNESS OF THE PRODUCT FOR CUSTOMERS APPLICATION. The drawing and information provided remain the property and copyright of the manufacturer listed. The manufacturer reserves the right to modify specification without notice.