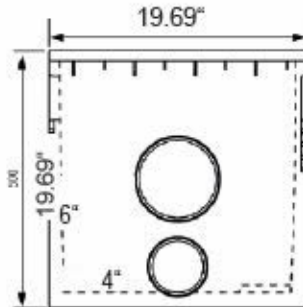
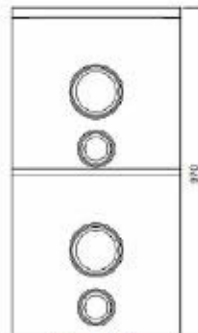


<p><b>Number</b>  <b>MAXI 100 Accessories</b></p>	<p><b>Series</b>  <b>MAX100</b> Trench Drain Channel MAXI 100</p>
---	---

**Accessories for ALL MAXI 100  
Load Class C, D, E and F**



**Catch Basin  
incl. galvanized  
depris basket**



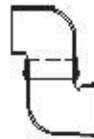
**Double  
Catch Basin**



**Closed End Piece**  
Part.No.: CHG70011-10



**Open End Piece  
with 4" Pipe Connection**  
Part.No.: CHG70011-20



**Foul air stop 4"**  
Part.No.: CHG70031-00

**Manufacturer**



**Specification**

HYDROTEC MAXI 100 SERIES FIBER REINFORCED CONCRETE WITH A DUCTILE IRON EDGE 4" WIDTH DRAINAGE CHANNEL. WITH SLOPE , SUPPLIED BY TRENCH DRAIN SUPPLY.

DISCLAIMER - The customer and the customer's architects, engineers, consultants, and other professionals are completely responsible for the selection installation and maintenance of any product purchased from Trench Drain Supply and/or its manufacturers. TRENCH DRAIN SUPPLY MAKES NO WARRANTY, EXPRESS OR IMPLIED, AS TO THE SUITABILITY, DESIGN, MERCHANTABILITY, OR FITNESS OF THE PRODUCT FOR CUSTOMERS APPLICATION. The drawing and information provided remain the property and copyright of the manufacturer listed. The manufacturer reserves the right to modify specification without notice.