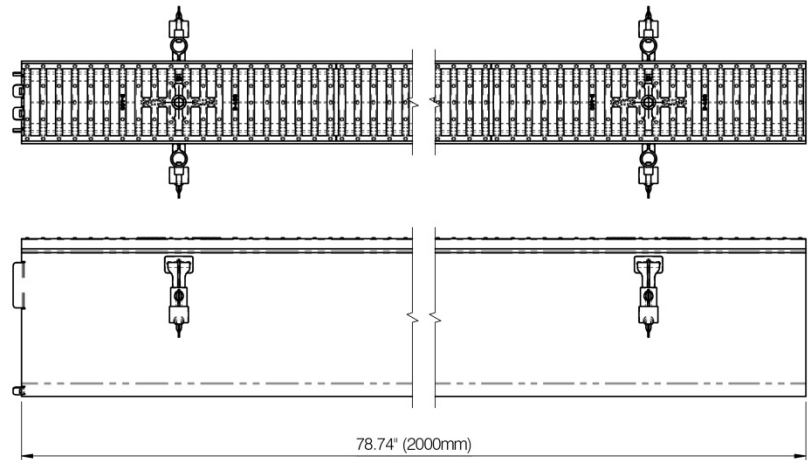
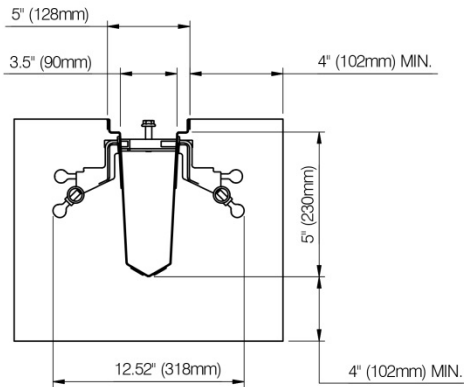




**M50 TrenchDrain D400KN (9" Depth)**  
**Load Classification: Up to \*D400KN (89923lbs)**



*Dimensions are subject to manufacturing tolerances*

### Volume, Weight & Discharge

Weight (lbs): 31 Per 2m channel without gratings  
Cross Sectional Channel Area: 26 5/8 (in<sup>2</sup>)  
Total Channel Volume: 1.38 US Gals/ft  
Total Discharge (1 in 50 ft/s): 230 GPM

### Range Available Options

D400KN Catch-Basin  
Step Connector  
Endcap Outlet  
End Cap

### Engineering Specification

The Trench drain system shall be Gatic M50 as manufactured by Gatic or approved equal. Trench Drain channels shall be 2 meters in length and 3.5" wide at the top of the throat. Channels shall be available in 3 depths; 5", 7", 9". Trench Drain channels shall be manufactured from galvanized sheet steel to North American Specification 'Commercial Steel Type B' in accordance with ASTM A-653 G90 Z275'. Channel units shall be manufactured from Standard Wire Gauge 16 (0.065"). Materials used shall be heat-resistant, 100% recyclable and have 0% water absorption. Catch Basins, end caps, step connectors and end cap outlets are available to compliment the channel and grates. Channels shall have a v-shaped base, for improved self-cleaning and optimum flow characteristics. Trench Drain channels shall have male end shoulder flanges at one end for positioning purposes. A choice of grates are available, up to a D load rating with locking bolt. Lockdowns for grates shall be physically engaged with the surrounding concrete to ensure that it does not come loose. Gatic M50 TrenchDrain channels and gratings are tested in accordance with the \*International Standard EN:1433.

### Additional Notes

\*Note: The recognized international standard that relates to modular surface drainage systems is the European Standard EN 1433: 2002 'Drainage Channels for Vehicular and Pedestrian Areas'. This standard uses the load classifications between A15KN – F900KN. For further detailed information regarding this Gatic M50 TrenchDrain system (installation methods and drawings etc.), please refer to US Technical Brochure ([www.gaticdrainagesolutions.com](http://www.gaticdrainagesolutions.com)) or contact Gatic at 'info@gaticdrainagesolutions.com'. Gatic reserves the right to make changes in material and design without formal notice and obligation. Dimensional Data (inches/mm) may be subject to manufacturing tolerances and changes without notice.

Supplied By:

**TRENCHDRAIN  
SUPPLY**

877-903-7246

[www.trenchdrainsupply.com](http://www.trenchdrainsupply.com)