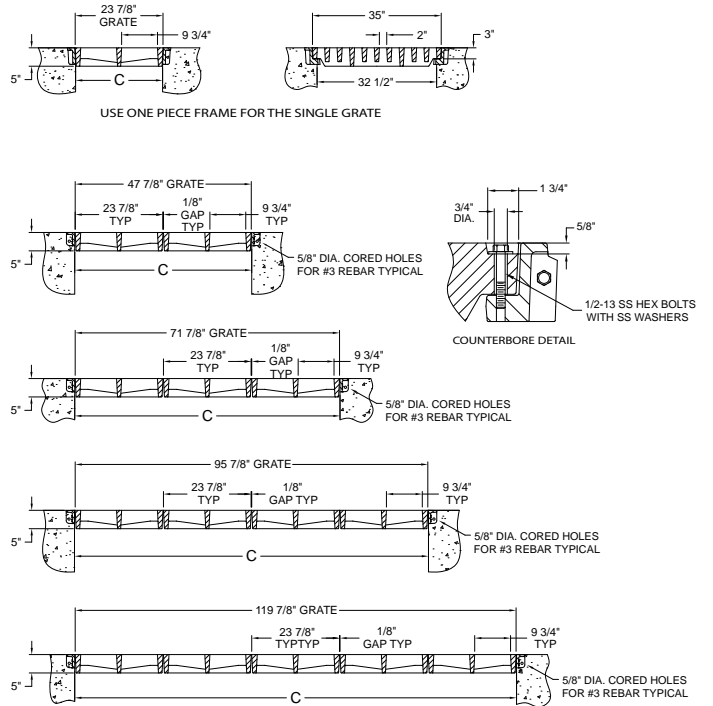


5436 FRAME, GRATE, AND COVER

Airport extra heavy duty
 Ductile iron
 385 sq. in. of open area per grate

- Options
- Bolting
- Custom lettering
- One piece top flange frame — 5436Z5
- Modular/expandable top flange frame



Caution: Do not disassemble bolted grates before setting sections in concrete

5436 Standard Drainage Inlet, Frame and Grate Assembly Series Options

Catalog Number	Clear Opening	Grate Open Area Sq. In.
00543633B03—Single Grate	23 3/4 x 32	385
00543604—2 Grate	48 1/8 x 32 1/2	769
00543606—3 Grate	72 1/8 x 32 1/2	1155
00543608—4 Grate	96 1/4 x 32 1/2	1538
00543734B01—5 Grate	120 1/8 x 38 7/8	1930

Note: All dimensions are in inches.