

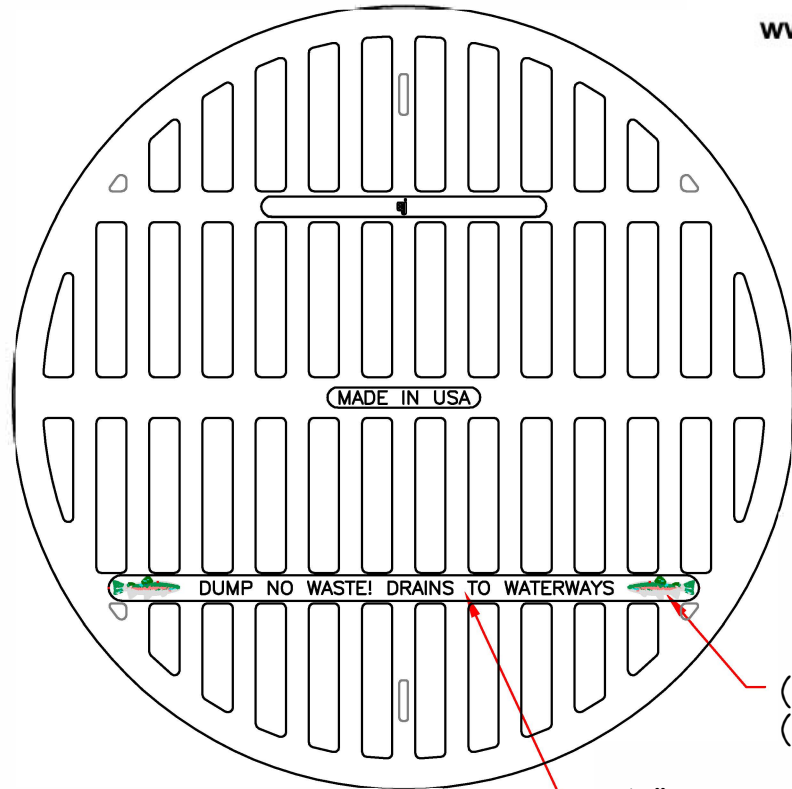
# 1580M Grate

Supplied By:

**TRENCHDRAIN  
SUPPLY**

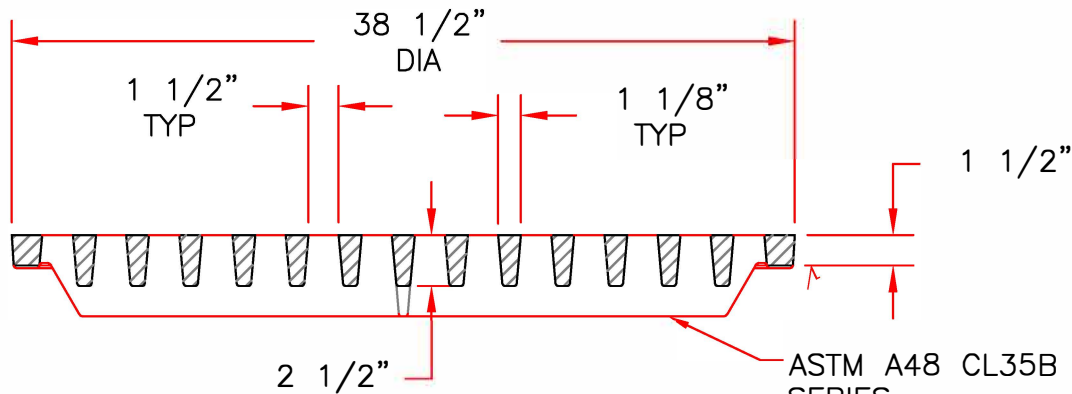
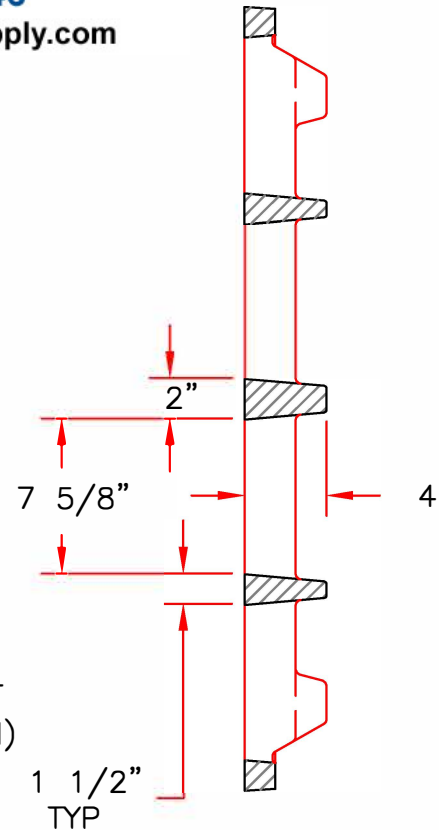
877-903-7246

www.trenchdrainsupply.com



(2) RAISED TROUT  
(RECESSED FLUSH)

1/2" SHARP FACE  
GOTHIC



ASTM A48 CL35B  
SERIES  
PROD NO.  
MO/DY/YR X

### Product Number

00158030

### Design Features

- Materials  
Gray Iron (CL35B)
- Design Load  
Heavy Duty
- Open Area  
468 SQ. IN.
- Coating  
Dipped
- ✓ Designates Machined Surface

### Certification

- ASTM A48
- Country of Origin: USA

### Drawing Revision

7/10/2003 Designer: DEW  
11/16/2015 Revised By: DAE

### Disclaimer

Weights (lbs./kg) dimensions (inches/mm) and drawings provided for your guidance. We reserve the right to modify specifications without prior notice.

CONFIDENTIAL: This drawing is the property of EJ GROUP, Inc., and embodies confidential information, registered marks, patents, trade secret information, and/or know how that is the property of EJ GROUP, Inc. Copyright © 2011 EJ GROUP, Inc. All rights reserved.

### Contact

800 626 4653  
ejco.com