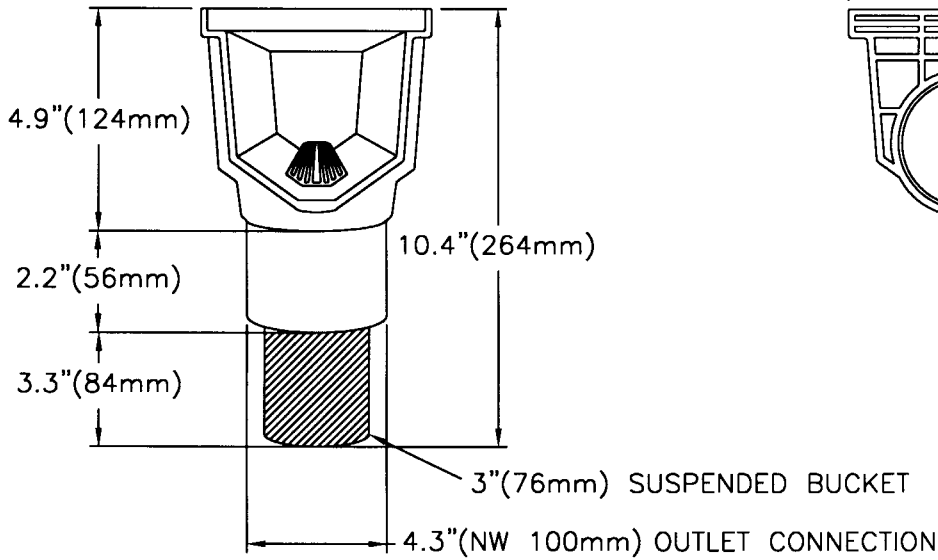


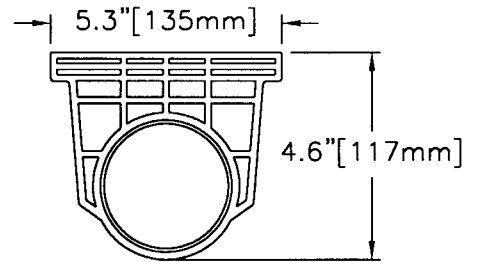
SPECIFICATION:
MEARIN 100 INLINE TRAP SET AND CHANNEL END CAP

MEARIN 100
141400

CHANNEL AND INLINE
TRAP SET



END CAP



DRAWING NO.

A-14556-K

MEA-JOSAM
MICHIGAN CITY, IN 46360

SERIES

MEARIN 100

5-1-97