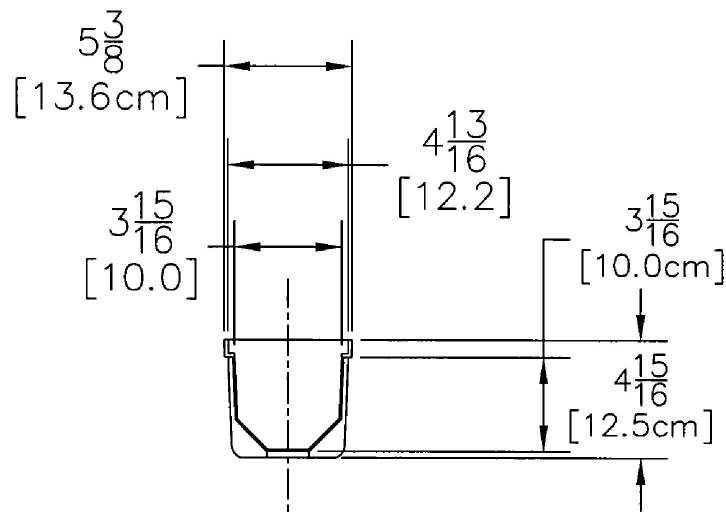
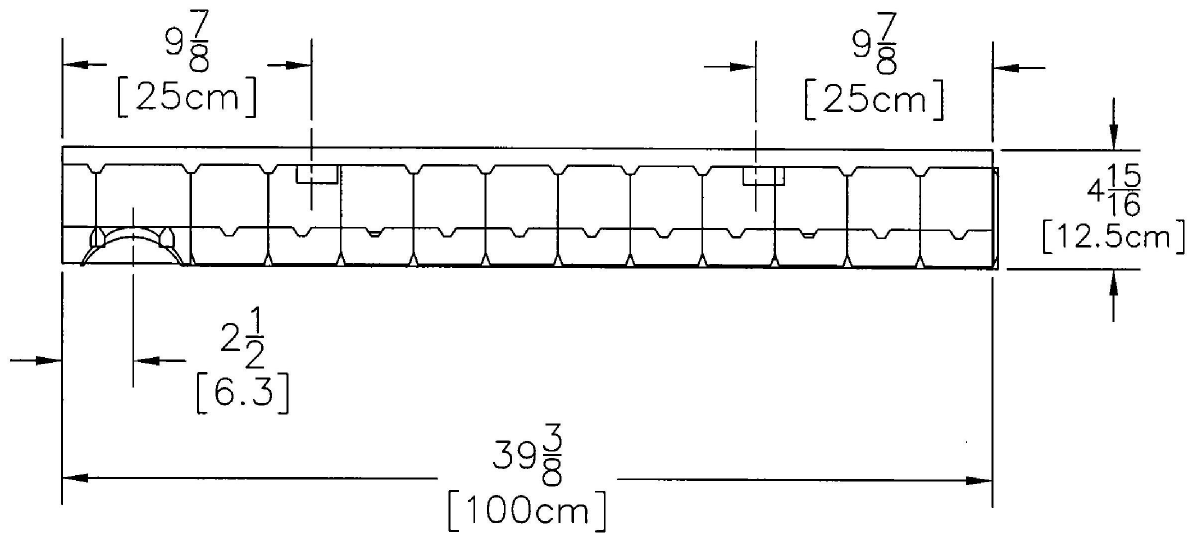


SPECIFICATION: MEARIN 100 SERIES REINFORCED FIBERGLASS DRAINAGE CHANNEL.

CHANNEL MEARIN 100

SERIES 141105



END VIEW

WEIGHT: 5.5 LB.

DRAWING NO.

A-14354-E

MEA-JOSAM

MICHIGAN CITY, IN 46360

NOTES:

11-28-95, 11-6-96, 4-17-97, 9-10-98