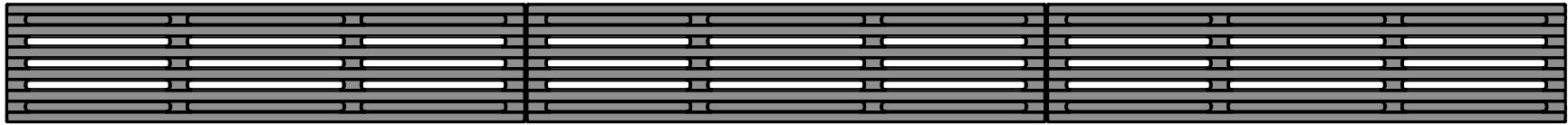


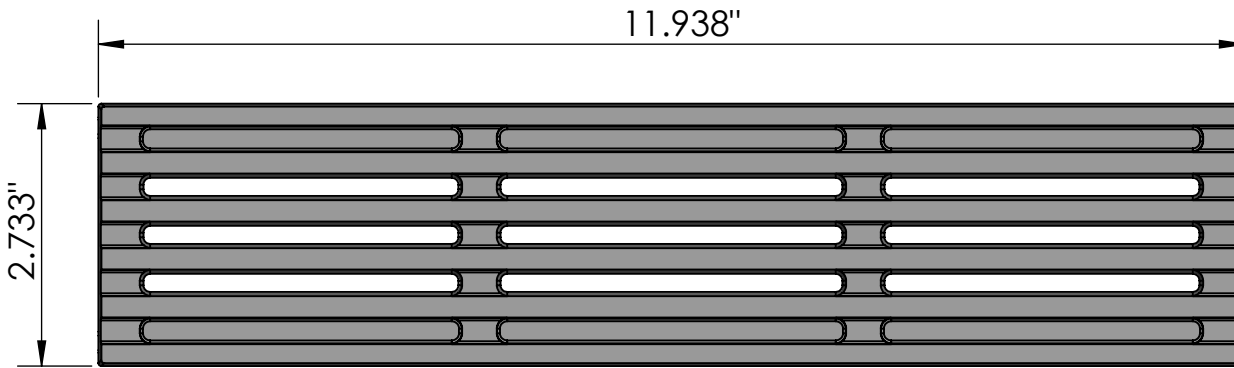
3 ARRAY

scale 1:4



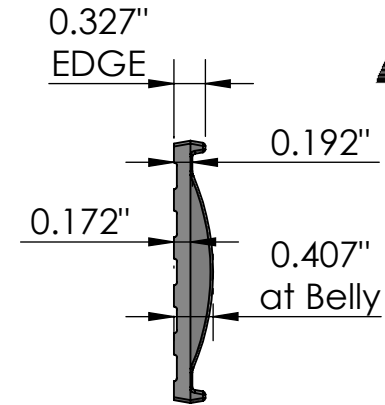
TOP VIEW

scale 1:2



END VIEW

scale 1:4



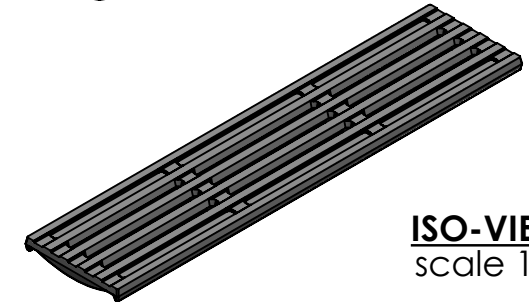
CASTING-ID

scale 1:1.5



SIDE VIEW

scale 1:2



ISO-VIEW

scale 1:4


NOTES:

1. Heelproof: No thru openings greater than 1/4".
2. Ships in pieces: 1
3. Due to casting inconsistencies, all dimensions are nominal.

Made in USA ©2014 Iron Age Designs

Supplied By:
TRENCHDRAIN SUPPLY
 877-903-7246
 www.trenchdrainsupply.com

Que 3" x 12" Trench Grate Heel Proof

| | | | | |
|------------------------------------------------------------------------------------------------------------------------------------------------------------------|----------------------------------------|------------------------------------|-------------------------------------------------------|-------------------------------------------------------|
|  IRON AGE DESIGNS Telephone 206.276.0925 www.ironagegrates.com | Material: Ductile Iron 65-45-12 | Weight: 1.56 lbs. | Free Drain Area: 5.65 in/sq., or 17.34 % | By: MS Checked: MS Date: 2-25-21 |
| | Finish: Raw | Edge: 0.327" | Flow Rate: 7.41 GPM, or .0165 CuFt./sec. | © Registration: Pending Scale: NTS |
| | Fits: NDS® NDS® Mini-Channel | Product ID: QUN3-12I01HP | Drawing Name: 07-QUE.N.3x12HP_TrenchGrate_Iron | |